

# Aulika EVO TOP HSC/RI

120V - 60Hz  
220V - 50Hz  
230V - 60Hz  
240V - 50Hz

IT Italiano  
EN English  
FR Français  
DE Deutsch  
ES Español



(IT)

## SOMMARIO

<b>Tav. 01</b>	Telaio / Estetica
<b>Tav. 02</b>	Componenti erogazione
<b>Tav. 03</b>	Componenti erogazione KR
<b>Tav. 04</b>	Impianto elettrico
<b>Tav. 05</b>	Elettrovalvole/Caldaie
<b>Tav. 06</b>	Circuito Idrraulico HSC
<b>Tav. 07</b>	Circuito Idrraulico HSC RI
<b>Tav. 08</b>	Circuito Idrraulico - KR RI
<b>Tav. 09</b>	Circuito Idrraulico - UL
<b>Tav. 10</b>	Coperchio superiore/Contentitori
<b>Tav. 11</b>	Macinacaffè
<b>Tav. 12</b>	Motoriduttore
<b>Tav. 13</b>	Base macchina
<b>Tav. 14</b>	Gruppo caffè
<b>Tav. 15</b>	Kits macchina

(EN)

## INDEX

Frame / aesthetics
Dispensing components
Dispensing components KR
Electric system
Solenoid Valves/Boilers
Hydraulic System HSC
Hydraulic System HSC RI
Hydraulic System - KR RI
Hydraulic System - UL
Top cover/Containers
Grinder
Gearmotor
Machine base
Coffee Group
Kits Coffee machine

(FR)

## INDEX

Cadre / esthétique
Distribution composants
Distribution composants KR
Installation électrique
Electrovannes/Chaudières
Circuit hydraulique HSC
Circuit hydraulique HSC RI
Circuit hydraulique - KR RI
Circuit hydraulique - UL
Couverture supérieure/Conteneurs
Moulin à café
Motoréducteur
Base de la machine
Groupe de café
Kits machine à café

(DE)

## VERZEICHNIS

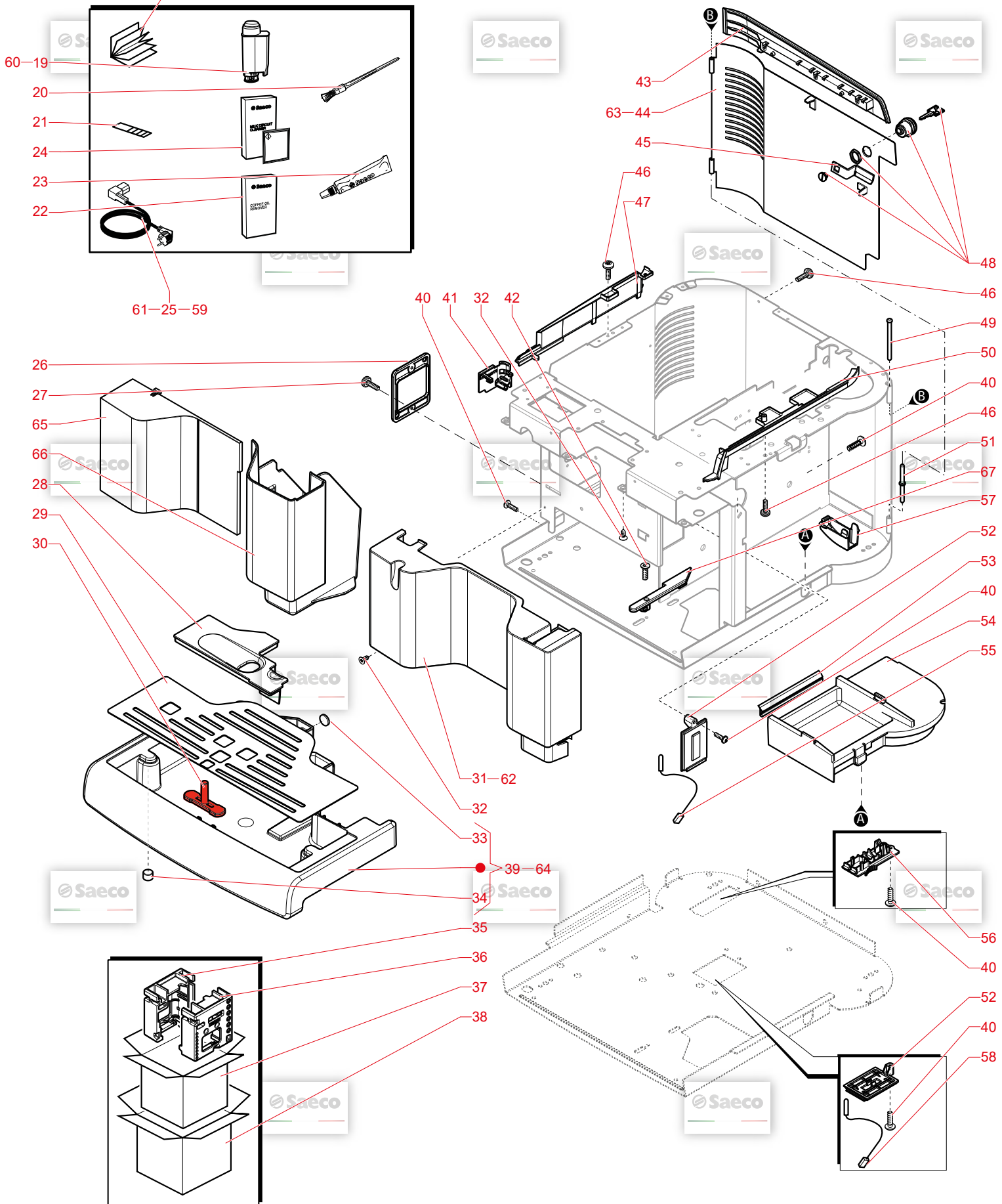
Rahmen / Ästhetik
Lieferbestandteile
Lieferbestandteile KR
Schaltbrett
Solenoidventile/Kessel
Wasser Leitung HSC
Wasser Leitung HSC RI
Wasser Leitung - KR RI
Wasser Leitung - UL
Obere Abdeckung/Behälter
Kaffeemühle
Getriebemotor
Maschinenbasis
Kaffeegruppe
Kit Kaffeemaschine

(ES)

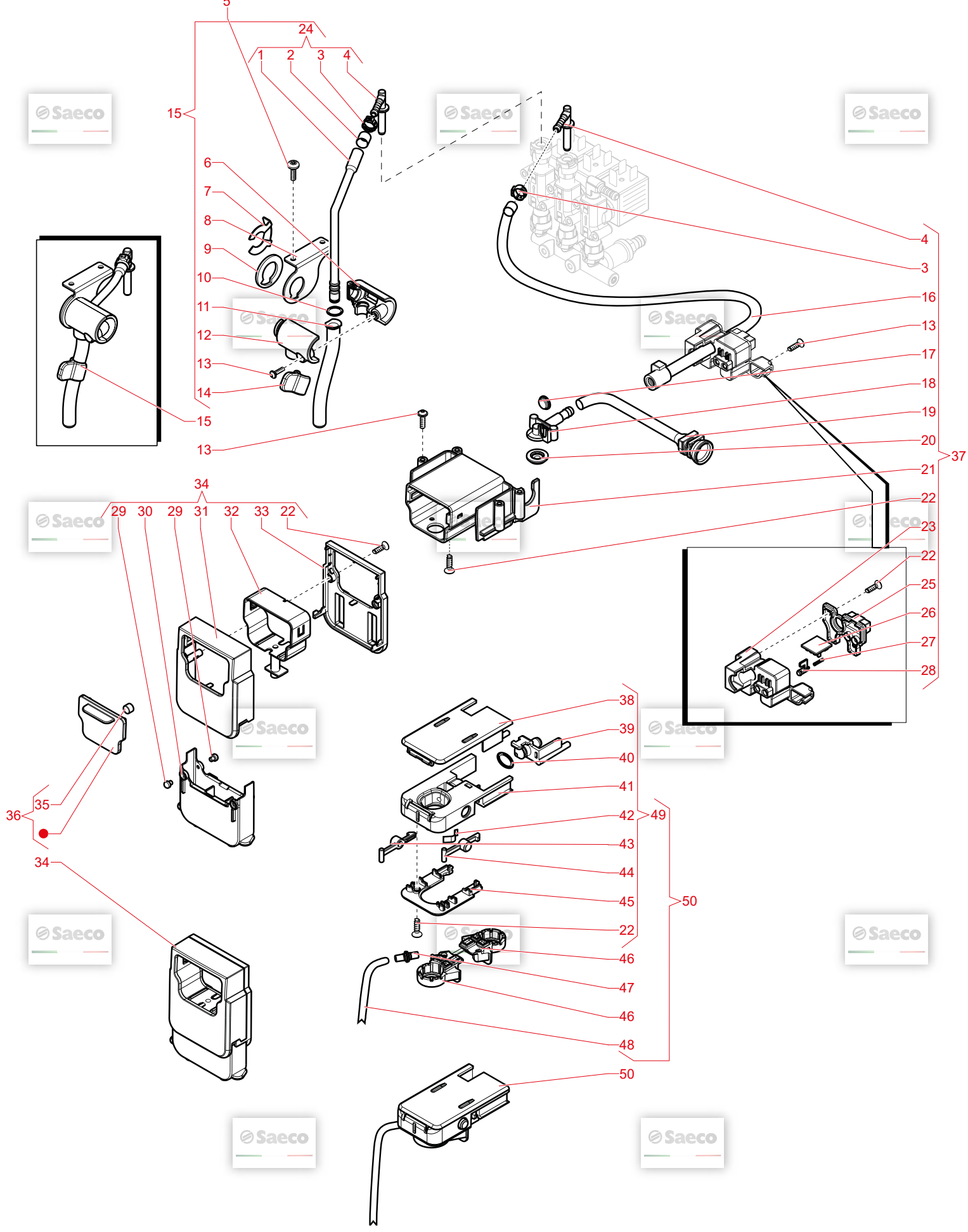
## INDICE

Marco / estética
Dispensación componentes
Dispensación componentes KR
Instalación eléctrica
Válvula de solenoide/Calderas
Circuito idráulico HSC
Circuito idráulico HSC RI
Circuito idráulico - KR RI
Circuito idráulico - UL
Cubierta superior/Contenedores
Molinillo de café
Motorreductor
Base de la máquina
Grupo de café
Kits máquina de café

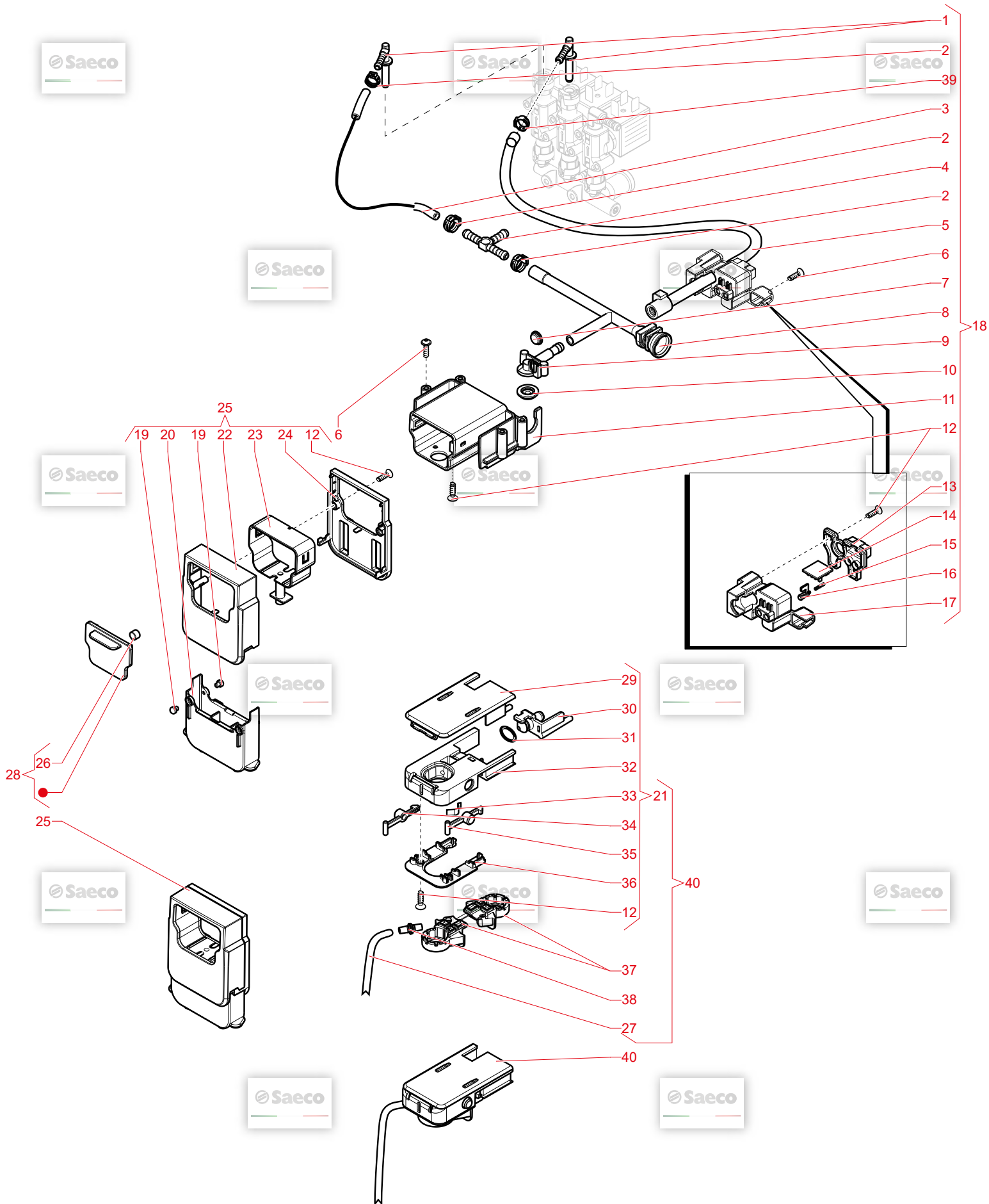
1-2-3-4-5-6-7-8-9-10-11-12-13-14-15-16-17-18



N.POSI	COD	I - DESCRIZIONE	UK - DESCRIPTION	F - DESCRIPTION	D - BEZEICHNUNG	E - DESCRIPCION	NOTE
1	15005220	LIB.IST.SAE EVO.TOP RYLE/IT	MANUAL SAE EVO.TOP RYLE/IT	MANUAL SAE EVO.TOP RYLE/IT	MANUAL SAE EVO.TOP RYLE/IT	LIB.IST.SAE EVO.TOP RYLE/IT	IT
2	15005221	LIB.IST.SAE EVO.TOP RYLE GB	MANUAL SAE EVO.TOP RYLE GB	MANUAL SAE EVO.TOP RYLE GB	MANUAL SAE EVO.TOP RYLE GB	LIB.IST.SAE EVO.TOP RYLE GB	GB
3	15005222	LIB.IST.SAE EVO.TOP RYLE FR	MANUAL SAE EVO.TOP RYLE FR	MANUAL SAE EVO.TOP RYLE FR	MANUAL SAE EVO.TOP RYLE FR	LIB.IST.SAE EVO.TOP RYLE FR	FR
4	15005223	LIB.IST.SAE EVO.TOP RYLE DE	MANUAL SAE EVO.TOP RYLE DE	MANUAL SAE EVO.TOP RYLE DE	MANUAL SAE EVO.TOP RYLE DE	LIB.IST.SAE EVO.TOP RYLE DE	DE
5	15005224	LIB.IST.SAE EVO.TOP RYLE ES	MANUAL SAE EVO.TOP RYLE ES	MANUAL SAE EVO.TOP RYLE ES	MANUAL SAE EVO.TOP RYLE ES	LIB.IST.SAE EVO.TOP RYLE ES	ES
6	15005225	LIB.IST.SAE EVO.TOP RYLE PL	MANUAL SAE EVO.TOP RYLE PL	MANUAL SAE EVO.TOP RYLE PL	MANUAL SAE EVO.TOP RYLE PL	LIB.IST.SAE EVO.TOP RYLE PL	PL
7	15005226	LIB.IST.SAE EVO.TOP RYLE NL	MANUAL SAE EVO.TOP RYLE NL	MANUAL SAE EVO.TOP RYLE NL	MANUAL SAE EVO.TOP RYLE NL	LIB.IST.SAE EVO.TOP RYLE NL	NL
8	15005227	LIB.IST.SAE EVO.TOP RYLE PT	MANUAL SAE EVO.TOP RYLE PT	MANUAL SAE EVO.TOP RYLE PT	MANUAL SAE EVO.TOP RYLE PT	LIB.IST.SAE EVO.TOP RYLE PT	PT
9	15005228	LIB.IST.SAE EVO.TOP RYLE SK	MANUAL SAE EVO.TOP RYLE SK	MANUAL SAE EVO.TOP RYLE SK	MANUAL SAE EVO.TOP RYLE SK	LIB.IST.SAE EVO.TOP RYLE SK	SK
10	15005229	LIB.IST.SAE EVO.TOP RYLE RO	MANUAL SAE EVO.TOP RYLE RO	MANUAL SAE EVO.TOP RYLE RO	MANUAL SAE EVO.TOP RYLE RO	LIB.IST.SAE EVO.TOP RYLE RO	RO
11	15005230	LIB.IST.SAE EVO.TOP RYLE HU	MANUAL SAE EVO.TOP RYLE HU	MANUAL SAE EVO.TOP RYLE HU	MANUAL SAE EVO.TOP RYLE HU	LIB.IST.SAE EVO.TOP RYLE HU	HU
12	15005231	LIB.IST.SAE EVO.TOP RYLE CS	MANUAL SAE EVO.TOP RYLE CS	MANUAL SAE EVO.TOP RYLE CS	MANUAL SAE EVO.TOP RYLE CS	LIB.IST.SAE EVO.TOP RYLE CS	CS
13	15005232	LIB.IST.SAE EVO.TOP RYLE SE	MANUAL SAE EVO.TOP RYLE SE	MANUAL SAE EVO.TOP RYLE SE	MANUAL SAE EVO.TOP RYLE SE	LIB.IST.SAE EVO.TOP RYLE SE	SE
14	15005233	LIB.IST.SAE EVO.TOP RYLE RU	MANUAL SAE EVO.TOP RYLE RU	MANUAL SAE EVO.TOP RYLE RU	MANUAL SAE EVO.TOP RYLE RU	LIB.IST.SAE EVO.TOP RYLE RU	RU
15	15005234	LIB.IST.SAE EVO.TOP RYLE BG	MANUAL SAE EVO.TOP RYLE BG	MANUAL SAE EVO.TOP RYLE BG	MANUAL SAE EVO.TOP RYLE BG	LIB.IST.SAE EVO.TOP RYLE BG	BG
16	15005235	LIB.IST.SAE EVO.TOP RYLE TWN	MANUAL SAE EVO.TOP RYLE TWN	MANUAL SAE EVO.TOP RYLE TWN	MANUAL SAE EVO.TOP RYLE TWN	LIB.IST.SAE EVO.TOP RYLE TWN	TWN
17	15005236	LIB.IST.SAE EVO.TOP RYLE CHN	MANUAL SAE EVO.TOP RYLE CHN	MANUAL SAE EVO.TOP RYLE CHN	MANUAL SAE EVO.TOP RYLE CHN	LIB.IST.SAE EVO.TOP RYLE CHN	CHN
18	15005237	LIB.IST.SAE EVO.TOP RYLE KOR	MANUAL SAE EVO.TOP RYLE KOR	MANUAL SAE EVO.TOP RYLE KOR	MANUAL SAE EVO.TOP RYLE KOR	LIB.IST.SAE EVO.TOP RYLE KOR	KOR
19	21002660	ACC BRITA WATER FILTER 1UNIT (10 PENNELLO PER PULIZIA	ACC BRITA INTENZA 1 UNITE (10 PINCEAU	ACC BRITA INTENZA 1 UNITE (10	ACC BRITA WATER FILTER 1UNIT (10	ACC BRITA WATER FILTER 1UNIT (10 PENNELLO PER PULIZIA	KR
20	127390100	STICKER TEST DUREZZA ACQUA	STICKER FOR WATER HARDNESS TEST	TEST DE DURETE D'EAU	Teststreifen für Wasserhärte	STICKER TEST DUREZZA ACQUA	
21	0301_961	ACC COF OIL REMOVER 1UNIT CORE+W	ACC COF OIL REMOVER 1UNIT CORE+W	ACC COF OIL REMOVER 1UNIT CORE+W	ACC COF OIL REMOVER 1UNIT CORE+W	ACC COF OIL REMOVER 1UNIT CORE+W	
22	21002663	TUBETTO GRASSO DI LUBRIFICAZIO	TUBE DE GRAISSE SILICONE 5GR.	TUBE DE GRAISSE SILICONE 5GR.	KLUBERLUB NH1 11-222 TUBE 5GR.	TUBETTO GRASSO DI LUBRIFICAZIONE	
23	421946017941	ACC MILK CLEAN POW.1U DISPL CO	ACC MILK CLEAN POW.1U DISPL CORE	PASTILLE NETTOYAGE CIRCUIT LAIT	ACC MILK CLEAN POW.1U DISPL CORE	ACC MILK CLEAN POW.1U DISPL CORE	
24	183911050	CAVO AL.SCH.3X1 H05VV.F NER.L=1200	BLACK POWER CABLE SCHUKO L=1200	CABLE ALIMENTATION	NETZANSCHLUßKABEL	CAVO AL.SCH.3X1 H05VV.F NER.L=12	
25	421944062731	COPERCHIO CONNETTORE NERO	BLK CONNECTOR LID	BLK CONNECTOR LID	BLK CONNECTOR LID	BLK CONNECTOR LID	
26	U143.015	PANELVIT TCB 3.0X12 TORX BLACK	VIS TCB TORX	VIS TCB TORX	Spax-Schraube TCB 3.0X12 TORX sz	PANELVIT TCB 3.0X12 TORX NER	
27	17000982	COP.VASCA REC.ACQ.RYL/IT NER.	BLACK DRIP TRAY COVER RYL	COVERLEUC BAG EGOUTTEMENT	Deckel sz Abtropfschale New Roya	COP.VASCA REC.ACQ.RYL/IT NER.	
28	17000989	GRIGLIA VASCA REC.ACQ.RYL/IT IN	SB/SS DRIP TRAY GRATE RYL/IT	GRILLE BAC RECUIPE EAU INOX	SB/SS DRIP TRAY GRATE RYL/IT	GRIGLIA VASCA REC.ACQ.RYL/IT INOX	
29	17000991	GALLEG.VASCA REC.ACQ.V2 RYL RO	RED FLOAT V2 FOR DRIP TRAY RYL	FLOTTEUR BAC EAUX USEES ROUGE	RED FLOAT V2 FOR DRIP TRAY RYL	GALLEG.VASCA REC.ACQ.V2 RYL ROS.	
30	11037043	COPANT.CARC.RYL/OT VERN.NER.C	BLK/P FRONT CASING COVER RYL/IT	BLK CASING COVER RYL/IT			
31	129535721	VITE TSP 3.5X9.5 DIN7982 TORX	SCREW TSP TORX 10 AB 3.5X9.5 SHE	MAGNET D=9.5 X H=1.5	Senkkopfschraube 3.5 x 9.5	VITE TSP 3.5X9.5 DIN7982 TORX IN	
32	9991_093	MAGNETE D=9.5 X H=1.5	MAGNET FOR FLOAT SUPERAUT.	AMANT BAC A MARC MAGIC	Magnet	MAGNETE D=9.5 X H=1.5	
33	9161.111	MAGNETE X GALLEGGIANTE SUPERAU	MAGNET FOR FLOAT SUPERAUT.	FLOTTEUR MAGNETIQUE	MAGNET	MAGNETE X GALLEGGIANTE SUPERAUT.	
34	263382	INS SX SCATOLA RYLO-E PS-E					
35	263381	INS DX SCATOLA RYLO-E PS-E					
36	130001327	SCAT.AVANNA RYLO SAE AULIKA	HAVANA BOX RYLO SAE AULIKA	BOITE D'EMBALLAGE INTERNE	HAVANA BOX RYLO SAE AULIKA	SCAT.AVANNA RYLO SAE AULIKA	
37	130000005	SCAT. EST.AULIKA EVO	EXT.BOX.AULIKA EVO				
38	130000005	AS.VASCA REC.ACQ.RYL NER.DIVER	UNPAINTED DRIP TRAY RYL ASSY.V2				
39	11036904	VITE TCB 3.5X12 PLAST.ZN-N	SCREW TCB TORX 10 3.5X12 PLAST.	VIS TCB TORX 10 3.5X12 PLASTZN	TORXSCHRAUBE 3.5X12	VITE TCB 3.5X12 PLASTZN-N	
40	12000450	PROT.TUBO VAP.RYL NER.	BLACK STEAM TUBE PROTECTION RYL	PROTECTION TUBE VAPEUR	BLACK STEAM TUBE PROTECTION RYL	BLACK STEAM TUBE PROTECTION RYL	
41	17000779	VITE TSP 3X10 PLAST.INOX	SCREW TSP TORX 10 3X10 PLAST.SS	VIS TSP 3X10 PLAST.INOX	TORXSCHRAUBE 3X10	SCREW TSP TORX 10 3X10 PLAST.SS	
42	12000895	INS SPORTELO BLK RYLE	BLK CASING CLOSING INSERT RYL/E	BLK CASING CLOSING INSERT RYL/E	BLK CASING CLOSING INSERT RYL/E	INS SPORTELO BLK RYL/E	
43	11036713	AS.SPORT.CARC.RYLE ACC.NER.	SIDE DOOR RYL/E ACC.BLK.ASSY	SIDE DOOR RYL/E ACC.BLK.ASSY	SIDE DOOR RYL/E ACC.BLK.ASSY	AS.SPORT.CARC.RYL/E ACC.NER.	
44	11036748	STAFFA SERRATURA SPORT.CARC.RY	STEEL CASING DOOR LOCK BRACKET R	PENE DE SERRURE	STEEL CASING DOOR LOCK BRACKET R	STEEL CASING DOOR LOCK BRACKET R	
45	17001988	VITE TCB B 3.5X9.5 LAMIERA ZN.	SCREW TCB TORX B 3.5X9.5 SCHEET	VIS TCB B 3.5X9.5 LAMIERA ZN-N	TORXSCHRAUBE 3.5X9.5	VITE TCB B 3.5X9.5 LAMIERA ZN-N	
46	12001622	INS CHIUSURA SX BLK CARC. RYLO	BLK CASING LEFT CLOSING INSERT R	BLK CASING LEFT CLOSING INSERT R	BLK CASING LEFT CLOSING INSERT R	INS CHIUSURA SX BLK CARC. RYLO/E	
47	11036714	SERRATURA MERONI.337	LOCK MERONI 337	SERRURE MERONI 337	Türschloß Meroni 337	SERRATURA MERONI 337	
48	12001902	SPINA SPORT.SUPERAUT.OT/NIK	NIK/BRASS PIN FOR DOOR SUPERAUT.	AXE DE PORTE	Scharnierbolzen oben	SPINA SPORT.SUPERAUT.OT/NIK	
49	0301_019	INS CHIUSURA DX BLK CARC. RYLO	BLK CASING RIGHT CLOSING INSERT	BLK CASING RIGHT CLOSING INSERT	BLK CASING RIGHT CLOSING INSERT	INS CHIUSURA DX BLK CARC. RYLO/E	
50	11036715	SPINA SPORT.SUPERAUT.OT/NIK	NIK/BRASS PIN FOR DOOR SUPERAUT.	AXE DE PORTE	Scharnierbolzen unten	SPINA SPORT.SUPERAUT.OT/NIK	
51	0301_020	INS PIAS.MONTAG RYL GRI.	GREY MOUNTING PLATE INSERT RYL	INSERT PLAQUE DE MONTAGE	Dichtung Brühtruppenschale MA, R	INS PIAS.MONTAG RYL GRI.	
52	17000240	GUARNIZIONE X PIASTRA GRUPPO	SEAL FOR UNIT PLATE	GARNITURE GROUPE CAFE	Dichtung Brühtruppenschale MA, R	GUARNIZIONE X PIASTRA GRUPPO	
53	9161_140	PIAS.SUPP.GRUPROYAL GRI.	GREY BREW UNIT SUPPORT PLATE ROY	PLAQ.GROUPE CAFE GRISE	Schublade Brühgruppe MA, RO	PIAS.SUPP.GRUPROYAL GRI.	
54	0301_041_150	AS.CONN.2P.SENS.REED FONDI CST	2POLES CONNECT.SENSOR REED DUMP	CONNECTEUR 2 POLES	BLACK CASING BOTTOM PLUG RYLO	2POLES CONNECT.SENSOR REED DUMP	
55	178000442	TAPPO FONDO CARC.RYLO NER.	BLACK MICROSWITCH PROTECTION RYL	BOUCHON FOND DE CARCASSE	BLACK CASING BOTTOM PLUG RYLO	TAPPO FONDO CARC.RYLO NER.	
56	17000028	PROT.MICRO RYL NER.	3P.CONN.DUMP BOX REED SENS.V2 RY	CONNECTEURS 3 POLES	3P.CONN.DUMP BOX REED SENS.V2 RY	3P.CONN.DUMP BOX REED SENS.V2 RY	
57	17001874	AS.CONN.3P.SENS.REED CAS.FOND.	ACC MAVEA WATER FILTER 1UNIT(100	NON DISPONIBLE POUR LA FRANCE ET	ACC MAVEA WATER FILTER 1UNIT(100	ACC MAVEA WATER FILTER 1UNIT(100	AUS
58	421946004691	CAVO ALIM.AUSTRALIA	POWER CABLE SJT3 USA BLACK UL L=	POWER CABLE SJT3 USA BLACK UL L=	CAVO AL USA SJT3 UL 16AWG NERO L	CAVO AL USA SJT3 UL 16AWG NERO L	120V - NA
59	6378 14600	ACC MAVEA WATER FILTER 1UNIT(100	GREY DUMP BOX GUIDE RYL	GUIDE POUR BAC A MARC	GREY DUMP BOX GUIDE RYL	ACC MAVEA WATER FILTER 1UNIT(100	120V - NA
60	21002661	CAVO AL USA SJT3 UL 16AWG NERO				CAVO AL USA SJT3 UL 16AWG NERO L	120V - NA
61	263280	COPANT.CARC.RYL/IT VERN 5VA					120V - NA
62	263374	AS.SPORT.CAR.RYLE ACC.NER.5VA					120V - NA
63	263389	AS.VASCA REC.ACQ.RYL V/NERL.					120V - NA
64	263179	COPANT.CARC.RYL/IT VERN.NER.CR					KR
65	263380	AS.CAS.FON.BAS RYL VERN.NER.CR					KR
66	263398	GUIDA CAS.RAC.FONDI RYL GRI.					KR
67	17000723						

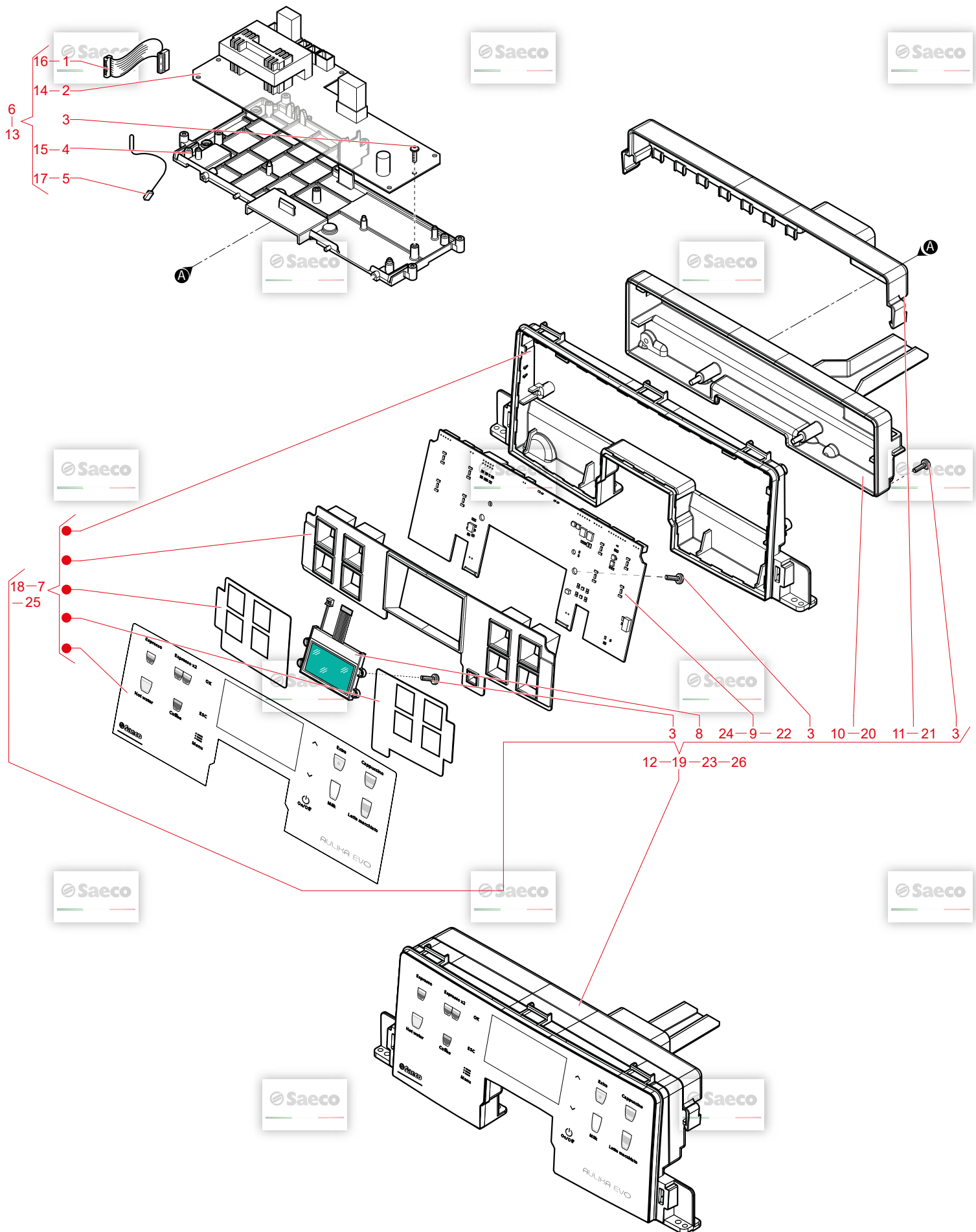


N.POSI	COD	I - DESCRIZIONE	UK - DESCRIPTION	F - DESCRIPTION	D - BEZEICHNUNG	E - DESCRIPCION
1	11022989	TUBO EROG.VAP.MDS SILIC.NER.	BLACK SILIC.STEAM DISPENSER TUBE	BLACK SILIC.STEAM DISPENSER TUBE	Dampfrohr schwarz Silikon	BLACK SILIC.STEAM DISPENSER TUBE
2	11025683	TUBO DI=9.5 SP=0.30 L=10 NER.	BLACK TUBE DI=9.5 SP=0.30 L=10	BLACK TUBE DI=9.5 SP=0.30 L=10	BLACK TUBE DI=9.5 SP=0.30 L=10	BLACK TUBE DI=9.5 SP=0.30 L=10
3	12000892	FASCETTA OETIKER D=9.5 16700004	OETIKER CLAMP D=9.5 16700004	AGRAFES OETIKER D=9.5 16700004	OETTINGERKLEIMME D=9.5	FASCETTA OETIKER D=9.5 16700004
4	17002197	RAC.TUBO VAP/CAPPUC.V4 RYL NER	BLACK CAPPUCIN/STEAM TUBE CONNEC			
5	12001622	VITE TCB B 3.5X9.5 LAMIERA ZN-N	SCREW TCB TORX B 3.5X9.5 SCHEET	VIS TCB B 3.5X9.5 LAMIERA ZN-N	TORXSCHRAUBE 3.5X9.5	VITE TCB B 3.5X9.5 LAMIERA ZN-N
6	17000672	SUPP.POST.TUBO VAP RYL NER.	BLACK REAR STEAM TUBE SUPPORT RY	SUPPORT ARRIERE TUBE VAPEUR	BLACK REAR STEAM TUBE SUPPORT RY	SUPP.POST.TUBO VAP RYL NER.
7	NF11.084	MOLLA A FORCELLA ACC.FOSF.	PHOSPH/STEEL FOLK SPRING	RESSORT A FOURCHE	Klemmfeder HWD - Rohr Incantio, D	MOLLA A FORCELLA ACC.FOSF.
8	17000815	STAFFA SUPP.TUBO VAP RYL ACC.	STEEL STEAM TUBE SUPPORT BRACKET	EQUERRE APOURT TUBE VAPEUR	Unterlagscheibe zu Dampfrohr	STAFFA SUPP.TUBO VAP RYL ACC.
9	11001624	RONDELLA TUBO VAP.P0049 NER.	BLACK STEAM TUBE WASHER P0049	RONDELLE DE BLOCAGE TUBE VAPEUR		RONDELLA TUBO VAP.P0049 NER.
10	140321961	OR 2031 NFDA NBR 70 FDA	O-RING 2031 NFDA NBR 70 FDA	O-RING 2031 NFDA NBR 70 FDA	O-RING 2031 NFDA NBR 70 FDA	OR 2031 NFDA NBR 70 FDA
11	17000670	TUBO VAP RYL OT/CHROM.TF	TF/CHROM.STEAM TUBE RYLO	TUYAU VAPEUR	TF/CHROM.STEAM TUBE RYLO	TF/CHROM.STEAM TUBE RYLO
12	17001437	SUPP.ANT.TUBO VAP RYL NER.	BLACK FRONT STEAM TUBE SUPPORT R	SUPPORT AVANT TUBE VAPEUR	BLACK FRONT STEAM TUBE SUPPORT R	SUPP.ANT.TUBO VAP RYL NER.
13	12000450	VITE TCBR 3.5X12 PLAST.ZN	SCREW TCBR TORX 10 3.5X12 PLAST.	VIS TCBR TORX 10 3.5X12 PLAST.ZN	TORXSCHRAUBE 3.5X12	VITE TCBR 3.5X12 PLAST.ZN
14	17001574	IMPUGN.TUBO VAP RYL NER.	BLACK STEAM TUBE HANDGRIP RYLO	POIGNEE TUBE VAPEUR NOIRE	BLACK STEAM TUBE HANDGRIP RYLO	IMPUGN.TUBO VAP RYL NER.
15	10031416	AS.TUBO VAP.V3 RYL/T OT/TEA OT	TF/CHROM.STEAM TUBE V3 RYL/T ASS	AS.TUB VAP.V3 RYL/T OT/TEA OT/C	TF/CHROM.STEAM TUBE V3 RYL/T ASS	AS.TUBO VAP.V3 RYL/T OT/TEA OT/C
16	20007031	KIT RAC.USCITA VAP/CAPPUC.RYL	KIT RAC.CAPPUCCINATORE BOARD SUPP	KIT RACCORD DE SORTIE VAPEUR	KIT RAC.CAPPUCCINATORE BOARD SUPP	KIT RAC.USCITA VAP/CAPPUC.RYL
17	11014016	INS.MAGNETE MYB9 INOX	SS INSERT FOR MAGNET MYB9	INSERTION MAGNET	Aufnahme Magnet	SS.INSERT FOR MAGNET MYB9
18	17000614	RAC.INGRES.CAF.EROG.RYL NER.	BLACK COFFEE DISPENSER TUBE RYL	TUBE EROGATION CAFE	Kaffeeauslaufrohr schwarz	RAC.INGRES.CAF.EROG.RYL NER.
19	17000037	GUARN.EROG.CAF.RYL NER.	BLACK DISPENSER COFF.INLET CONNE	RACCORD PASSAGE CAFE	Raccord schwarz Kaffeezulauf	GUARN.EROG.CAF.RYL NER.
20	17000037	SUPP.EROG.CAF.RYL NER.	BLACK SEAL FOR COFFEE DISPENSER	CARPINATURE EROGATION CAFE	Dichtung schwarz Kaffeauslauf	SUPP.EROG.CAF.RYL NER.
21	17000257	VITE TSP 3X10 PLAST.INOX	BLACK COFFEE DISPENSER SUPPORT R	SUPPORT EROGATION CAFE	BLACK COFFEE DISPENSER SUPPORT R	SUPP.EROG.CAF.RYL NER.
22	12000895	SUPP.SCHEDA CAPPUC.RYL NER.	SCREW TSP TORX 10 3X10 PLAST.SS	VIS TSP 3X10 PLAST.INOX	TORXSCHRAUBE 3X10	SUPP.SCHEDA CAPPUC.RYL NER.
23	12000339	KIT TUBO USCITA VAP RYL NER.	BLACK CAPPUCINATORE BOARD SUPPO	SUPPORT PLATINE CAPPUC.NOIR	BLACK CAPPUCINATORE BOARD SUPPO	KIT TUBO USCITA VAP RYL NER.
24	20007030	COP.SUPP.SCHEDA CAPPUC.RYL NER	BLACK OUTPUT STEAM TUBE KIT RYL	KIT TUBE VAPEUR	BLACK OUTPUT STEAM TUBE KIT RYL	COP.SUPP.SCHEDA CAPPUC.RYL NER.
25	17000348	SCHEDA CAPPUC.RYL	BLK CAPPUCINATORE BOARD SUPP.CO	CORPS SUPPORT PLATINE CAPPUC. NO	BLK CAPPUCINATORE BOARD SUPP.CO	SCHEDA CAPPUC.RYL
26	11025772	MOLLA INS.MICRO CARAF.MYB9 ACC	SS CARAFE MICRO INSERT SPRING MY	RESSORT INSERT	Feder zu Mikroschalter Karaffe	MOLLA INS.MICRO CARAF.MYB9 ACC.
27	17000019	INS.PRESENZA CAPPUC.RYL NER.	BLACK CAPPUCINATORE PRESENCE IN	INSERT PRESENCE CAPPUCINATORE	BLACK CAPPUCINATORE PRESENCE IN	INS.PRESENZA CAPPUC.RYL NER.
28	17000421	PATTINO EROG.CAF.MYB9 BIA.	WHITE COFFEE DISPENSER SLIDER MY	PATIN EROGATION CAFE	Gleitstück im Auslauf	PATTINO EROG.CAF.MYB9 BIA.
29	11013085	PARTE MOBILE EST.EROG.CAF RYL	BLACK EXT.MOBILE PART COF.DISPEN	BLACK EXT.MOBILE PART COF.DISPEN	BLACK EXT.MOBILE PART COF.DISPEN	PARTE MOBILE EST.EROG.CAF RYL NE
30	17000246	COP.ANT.EROG.CAF RYL VERN.NER.	BLK FRONT COF.DISPENSER COVER	BLACK FRONT COFFEE DISPENSER COVER	BLACK FRONT COFFEE DISPENSER COVER	COP.ANT.EROG.CAF RYL VERN.NER.
31	11037042	CORPO INT.EROG.CAF RYL NER.	BLACK INNER BODY COFFEE DISPENS	BLACK INNER BODY COFFEE DISPENS	BLACK INNER BODY COFFEE DISPENS	CORPO INT.EROG.CAF RYL NER.
32	17000251	COP.POS.EROG.CAF RYL NER.	BLACK REAR COVER COFFEE DISPENSE	BLACK REAR COVER COFFEE DISPENSE	BLACK REAR COVER COFFEE DISPENSE	COP.POS.EROG.CAF RYL NER.
33	17000248	AS.EROG.CAF.RYL BLU	BLUE COFFEE DISPENSER RYL ASSY	BLUE COFFEE DISPENSER RYL ASSY	BLUE COFFEE DISPENSER RYL ASSY	AS.EROG.CAF.RYL BLU
34	11036787	MAGNETE X GALLEGGIANTE SUPERAU	MAGNET FOR FLOAT SUPERAUT.	MAGNET FOR FLOAT SUPERAUT.	MAGNET	MAGNETE X GALLEGGIANTE SUPERAUT.
35	9161.111	AS.COP.SUPP.EROG.CAF RYL/T VER	AS.COP.SUPP.EROG.CAF RYL/T VERBL	AS.COP.SUPP.EROG.CAF RYL/T VERBL	AS.COP.SUPP.EROG.CAF RYL/T VER	AS.SUPP.EROG.CAF.V3 RYL/T OT/TEA
36	11037041	AS.SUPP.EROG.CAF V3 RYL/T OT/TE	BLK TEA/BR COF.DISPENS.SUPP.V3 R	BLK UPPER CAPPUC.LID LASER.RYL	BLACK UPPER CAPPUC.LID LASER.RYL	AS.SUPP.EROG.CAF.V3 RYL/T OT/TEA
37	11031417	COP.SUPP.CAPPUCINAT.RYL NER.LA	BLACK CAPPUC.INPUT MILK CONNECTO	RACCORD ASPIRATION LAIT	BLACK CAPPUC.INPUT MILK CONNECTO	BLACK UPPER CAPPUC.LID LASER.RYL
38	17004098	RAC.INGRES.LATTE CAPPUC.RYL NE	O-RING 106 SILICONE	JOINT 106	O-Ring 106 SV. MC. P3/5	RAC.INGRES.LATTE CAPPUC.RYL NER.
39	17000785	CORPO CAPPUC.INGRES.SX RYL NER	BLACK LEFT ENTRY CAPPUCINAT.CAS	CORPS CAPPUCINATORE	BLACK LEFT ENTRY CAPPUCINAT.CAS	CORPO CAPPUC.INGRES.SX RYL NER.
40	NM01.028	MOLLA INS.BLOCCAG.CAPPUC.RYL I	SS CAPPUCINATORE INSERT SPRING	RESSORT INOX BLOCAGE INSERT CAPP	MOLLA INS.BLOCCAG.CAPPUC.RYL I	MOLLA INS.BLOCCAG.CAPPUC.RYL I
41	17000338	INS.SX.BLOCCAG.CAPPUC.RYL GRI.	GREY LEFT CAPPUCINATORE INSERT	INSERT GAUCHE BLOCAGE INSERT CAPP	INS.SX.BLOCCAG.CAPPUC.RYL GRI.	INS.SX.BLOCCAG.CAPPUC.RYL I
42	17000382	INS.DX.BLOCCAG.CAPPUC.RYL GRI.	GREY RIGHT CAPPUCINATORE INSERT	INSERT DROIT BLOCAGE CAPPUCINAT	INS.DX.BLOCCAG.CAPPUC.RYL GRI.	INS.DX.BLOCCAG.CAPPUC.RYL I
43	17000389	COP.INF.CAPPUC.V2 RYL NER.	BLK LOWER CAPPUCINATORE LID V2	BLACK LOWER CAPPUCINATORE LID V2	BLK LOWER CAPPUCINATORE LID V2	INS.DX.BLOCCAG.CAPPUC.RYL GRI.
44	17000402	INS.RAC.TUBO ASPIR.LATTE V2 RY	MILK INTAKE+OUTLET CONNECT.RYL V	INSERT RACCORD TUBE ASPIRATION L	BLK LOWER CAPPUCINATORE LID V2	BLK LOWER CAPPUCINATORE LID V2
45	421941278272	RAC.TUBO ASPIR.+USCITA LATTE R	TUBE SILICONE 3.5X6 L=500MM	MILK INTAKE+OUTLET CONNECT.RYL V	Einsatz zu Racord Milchrohr sch	INS.RAC.TUBO ASPIR.LATTE V2 RYL
46	17001362	AS.CAPPUC.V2 RYL/NER.SER.	BLK CAPPUCINATORE S/SCR.V2 RYLO	CAPPUCINATOR NOIR V2 HSC	SILICONE TUBE 3.5X6 L=500 MM	INS.RAC.TUBO ASPIR.LATTE V2 RYL
47	421944059361	KIT CAPPUCINATORE NERO	KIT BLK CAPPUCINATORE RYLO	KIT CAPPUCINATORE NOIR	KIT CAPPUCINATORE NERO	MILK INTAKE+OUTLET CONNECT.RYL V
48	11029672					TUBO SILICONE 3.5X6 L=500MM TAGL
49	421941260042					TUBO SILICONE 3.5X6 L=500MM TAGL
50	421946032811					BLK CAPPUCINATORE S/SCR.V2 RYLO
						KIT CAPPUCINATORE NERO



N.POSI COD	I - DESCRIZIONE	UK - DESCRIPTION	F - DESCRIPTION	D - BEZEICHNUNG	E - DESCRIPCION
1	17002197 NF11.052	RAC.TUBO VAP/CAPPUC.V4 RYL NER	CIRCLIPS	Klemme Oeliker 5,8-7mm x0,5	FASCETTA OETIKER
2	1027788	TUBO SIL.RETIN.5X8,9 L=2000MM	TUBO SIL.RETIN.5X8,9 L=2000MM RO	TUBO SIL.RETIN.5X8,9 L=2000MM RO	TUBO SIL.RETIN.5X8,9 L=2000MM RO
3	11007493	RAC.A.T.USCITA CALD.P604 NEU.	RACCORD EN T CHAUD P604	T-Raccord Boilerausgang P604 neu	RAC.A.T.USCITA CALD.P604 NEU.
4	20007031	KIT RACCORD.OUTPUT STEAM CONNECT.	KIT RACCORD DE SORTIE VAPEUR	BLK CAPPUC.OUTPUT STEAM CONNECT.	KIT RACCORD.OUTPUT STEAM CONNECT.
5	11014016	VITE TCBR 3.5X12 PLAST.ZN+N	VIS TCBR TORX 10 3.5X12 PLASTZN	TORXSCHRAUBE 3X12	VITE TCBR 3.5X12 PLAST.ZN+N
6	12000450	INS.MAGNETE MYB9 INOX	INSERTION MAGNET	Aufnahme Magnet	SS.INSERT FOR MAGNET MYB9
7	17004039	RAC.INGR.ACQUA-CAFF.EROG. RYLO	BLK.WAT.-COFF.DISP. INLET CONNEC	BLK.WAT.-COFF.DISP. INLET CONNEC	RAC.INGR.ACQUA-CAFF.EROG. RYLO K
8	17000616	TUBO EROG.CAF.RYL NER.	TUBE EROGATION CAFE	Kaffeelaufrohr schwarz	TUBO EROG.CAF.RYL NER.
9	17000337	GUARN.EROG.CAF.RYL NER.	CARNITURE EROGATION CAFE	Dichtung schwarz Kaffeelauf	GUARN.EROG.CAF.RYL NER.
10	17000257	SUPP.EROG.CAF.RYL NER.	SUPPORT EROGATION CAFE	BLK.COFFEE DISPENSER SUPPORT R	SUPP.EROG.CAF.RYL NER.
11	17000021	VITE TSP 3X10 PLAST.INOX	VIS TSP 3X10 PLASTINOX	TORXSCHRAUBE 3X10	SCREW TSP TORX 10 3X10 PLAST.SS
12	12000895	COP.SUPP.SCHEDA.CAPPUC.RYL NER	CORPS SUPPORT PLATINE CAPPUC. NO	BLK.CAPPUCINATORE BOARD SUPP.CO	COP.SUPP.SCHEDA.CAPPUC.RYL NER.
13	17000348	SCHEDA.CAPPUC.RYL	PLATINE CAPPUCINATORE	CAPPUCINATORE BOARD RYL	SCHEDA.CAPPUC.RYL
14	11025772	MOLLA INS.MICRO CARAF.MYB9 ACC	RESSORT INSERT	Feder zu Mikroschalter Karaffe	MOLLA INS.MICRO CARAF.MYB9 ACC.
15	17000019	INS.PRESENZA.CAPPUC.RYL NER.	INSERT PRESENCE CAPPUCINATORE	BLK.CAPPUCINATORE PRESENCE IN	INS.PRESENZA.CAPPUC.RYL NER.
16	17000421	SUPP.SCHEDA.CAPPUC.RYL NER.	SUPPORT PLATINE CAPPUC.NOIR	BLK.CAPPUCINATORE BOARD SUPPO	SUPP.SCHEDA.CAPPUC.RYL NER.
17	17000339	AS.SUPP.EROG.CAF.RYLO NERO KR	ENS.SUPPORT SORTIE CAFE NOIR	BLK.COFF.DISPENS.SUPP. RYLO ASSY.	AS.SUPP.EROG.CAF.RYLO NERO KR
18	17004047	PATTINO EROG.CAF.MYB9 BIA.	WHITE COFFEE DISPENSER SLIDER MY	WHITE COFFEE DISPENSER SLIDER MY	PATTINO EROG.CAF.MYB9 BIA.
19	11013085	PARTIE MOBILE ESTEROG.CAF.RYL	BLACK EXT.MOBILE PART COF.DISPEN	BLACK EXT.MOBILE PART COF.DISPEN	PARTIE MOBILE ESTEROG.CAF.RYL NE
20	17000246	AS.CAPPUC.V2 RYLO NER.SER.	BLK.CAPPUCINATORE S/SCR.V2 RYLO	BLK.CAPPUCINATORE S/SCR.V2 RYLO	AS.CAPPUC.V2 RYLO NER.SER.
21	421941260042	COP.ANT.EROG.CAF.RYL VERN.CRC	CRC FRONT COF.DISPENSER COVER RY	CRC FRONT COF.DISPENSER COVER RY	COP.ANT.EROG.CAF.RYL VERN.CRC
22	11030102	CORPO INT.EROG.CAF.RYL NER.	BLACK INNER BODY COFFEE DISPENS	BLACK INNER BODY COFFEE DISPENS	CORPO INT.EROG.CAF.RYL NER.
23	17000251	COPPOS.EROG.CAF.RYL NER.	CORPS ARRIERE EROGATION CAFE	CORPS ARRIERE EROGATION CAFE	COPPOS.EROG.CAF.RYL NER.
24	17000248	AS.EROG.CAF.RYL NER.	ENS.EROGATION CAPPUCINO	ENS.EROGATION CAPPUCINO	AS.EROG.CAF.RYL NER.
25	11030101	MAGNETE X GALLEGGIANTE SUPERAU	FLOTTEUR MAGNETIQUE	FLOTTEUR MAGNETIQUE	MAGNETE X GALLEGGIANTE SUPERAUT.
26	9161.111	TUBO SILICONE 3,5X6 L=500MM TA	TUBE SILICONE 3.5X6 L=500MM	TUBE SILICONE 3.5X6 L=500MM	TUBO SILICONE 3,5X6 L=500MM TAGL
27	11029672	AS.COP.ANT.SUPP.EROG.CAF.RYL/T	PLAQUE FRONTALE SUPP CAPPUCINNO	PLAQUE FRONTALE SUPP CAPPUCINNO	AS.COP.ANT.SUPP.EROG.CAF.RYL/T V
28	11030104	COP.SUPP.CAPPUCINAT.RYL NER/LA	BLK UPPER CAPPUC.LID LASER RYL	BLK UPPER CAPPUC.LID LASER RYL	COP.SUPP.CAPPUCINAT.RYL NER/LA
29	17004098	RAC.INGRES.LATTE.CAPPUC.RYL NE	RACCORD ASPIRATION LAIT	RACCORD ASPIRATION LAIT	RAC.INGRES.LATTE.CAPPUC.RYL NE.
30	17000785	OR 106 SILICONE	O-RING 106 SILICONE	O-RING 106 SILICONE	OR 106 SILICONE
31	170001028	CORPO.CAPPUC.INGRES.SX RYL NER	CORPS CAPPUCINATORE	CORPS CAPPUCINATORE	CORPO.CAPPUC.INGRES.SX RYL NER
32	17000338	MOLLA INS.BLOCCAG.CAPPUC.RYL I	RESSORT INOX BLOCAGE INSERT CAPP	RESSORT INOX BLOCAGE INSERT CAPP	MOLLA INS.BLOCCAG.CAPPUC.RYL INO
33	17000382	INS.SX.BLOCCAG.CAPPUC.RYL GRI.	INSERT GAUCHE BLOCAGE CAPPUCIN	INSERT GAUCHE BLOCAGE CAPPUCIN	INS.SX.BLOCCAG.CAPPUC.RYL GRI.
34	17000389	INS.DX.BLOCCAG.CAPPUC.RYL GRI.	INSERT DROIT BLOCAGE CAPPUCIN	INSERT DROIT BLOCAGE CAPPUCIN	INS.DX.BLOCCAG.CAPPUC.RYL GRI.
35	17000402	COP.INF.CAPPUC.V2 RYL NER.	BLK LOWER CAPPUCINATORE LID V2	BLK LOWER CAPPUCINATORE LID V2	COP.INF.CAPPUC.V2 RYL NER.
36	421941278272	RAC.TUBO ASPIR.+USCITA.LATTE R	MILK INTAKE+OUTLET CONNECT.RYL V	MILK INTAKE+OUTLET CONNECT.RYL V	RAC.TUBO ASPIR.+USCITA.LATTE R
37	421944059361	INS.RAC.TUBO ASPIR.LATTE V2 RY	INSERT RACCORD TUBE ASPIRATION L	INSERT RACCORD TUBE ASPIRATION L	INS.RAC.TUBO ASPIR.LATTE V2 RY
38	17001362	MOLLA STRINGITUBO D=9,5MM ZINC	SPRING HOSE CLAMP D=9.5MM	SPRING HOSE CLAMP D=9.5MM	MOLLA STRINGITUBO D=9,5MM ZINC.G
39	184320200	KIT CAPPUCINATORE NERO	KIT CAPPUCINATORE NOIR	KIT CAPPUCINATORE NOIR	KIT CAPPUCINATORE NERO
40	421946032811				





N.POSI COD	I - DESCRIZIONE	UK - DESCRIPTION	F - DESCRIPTION	D - BEZEICHNUNG	E - DESCRIPCION	NOTE
1	263204	FLAT CABLE 14P.CPU-PWR EVO RYL	PWR BOARD RYL/RYLO V2 230V	PWR BOARD RYL/RYLO V2 230V	PWR BOARD RYL/RYLO V2 230V	230V -
2	421941307761	PWR BOARD RYL/RYLO V2 230V	SCREW TCBR TORX 10 3.5X12 PLAST.	VIS TCBR TORX 10 3.5X12 PLASTZN	VITE TCBR 3.5X12 PLASTZN-N	230V -
3	12000450	VITE TCBR 3.5X12 PLASTZN-N	BLACK PWR BOARD SUPPORT RYL	SUPPP.LATINE PUISSANCE NOIR	SUPPP.SCHEDA PWR RYL NER.	230V -
4	17000275	SUPP.SCHEDA PWR RYL NER.	AS. CONN. 2 POLI CC			230V -
5	263203	AS. CONN. 2 POLI CC	WHITE DISPLAY 160x80	DISPLAY 160x80 BLANC	DISPLAY 160x80 BIANCO	230V -
6	263212	AS.PARTI EL. RYL/E/F 230/50	ASSY CPU+FW_AULIKA_EVO	ASSY CPU+FW_AULIKA_EVO	ASS. CPU+FW_AULIKA_EVO	230V -
7	263222	AS.PANNEL. FRONT. RYL/E TOP V2	CONTROL PANEL INF.COVER RYL/E			230V -
8	12001779	DISPLAY 160x80 BIANCO	ASSIEME FRONTALINO CON SW SPEC			120V - NA
9	11037022	ASS. CPU+FW_AULIKA_EVO	COP.INF.FRONT.COMANDI RYL/E			120V - NA
10	11037020	COP.SUP.FRONT.COMANDI RYL/E	ASSIEME FRONTALINO CON SW SPEC			120V - NA
11	11037021	ASSIEME FRONTALINO CON SW SPEC	AS.PARTI EL. RYL/E 120V			120V - NA
12	263301	PWR BOARD AULIKA EVO	PWR BOARD AULIKA EVO B2B 120V			CHN
13	263221	AS.PARTI EL. RYL/E 120V	SUPP.SCHEDA PWR RYL UL NER.			120V - NA
14	263207	PWR BOARD AULIKA EVO B2B 120V	FLAT CABLE 14P.CPU-PWR EVO RYL			120V - NA
15	11028842	SUPP.SCHEDA PWR RYL UL NER.	AS. CONN. 2P.SENS REED FONDI CST			120V - NA
16	263204	FLAT CABLE 14P.CPU-PWR EVO RYL	AS. PANNELLO FRONT. RYL/E 5VA			120V - NA
17	17800442	AS. CONN. 2P.SENS REED FONDI CST	ASSIEME FRONTALINO CON SW SPEC			CHN
18	263224	AS. PANNELLO FRONT. RYL/E 5VA	COP.INF.FRONT.COMAND RYL/E 5VA			120V - NA
19	263302	ASSIEME FRONTALINO CON SW SPEC	COP.SUP.FRONT.COMAND RYL/E 5VA			CHN
20	263176	COP.INF.FRONT.COMAND RYL/E 5VA	CPU + SW CHN			120V - NA
21	263177	COP.SUP.FRONT.COMAND RYL/E 5VA	CPU + SW K-TOP			KTOP
22	263304	CPU + SW CHN	ASSIEME FRONTALINO CON SW SPEC			KTOP
23	263303	ASSIEME FRONTALINO CON SW SPEC	FRONTALE CON CAPACITIVO SENZA			KTOP
24	263305	CPU + SW K-TOP	ASSIEME FRONTALINO CON SW SPEC			KTOP
25	263309	FRONTALE CON CAPACITIVO SENZA				
26	263307	ASSIEME FRONTALINO CON SW SPEC				

Aulika EVO Top HSC/RI

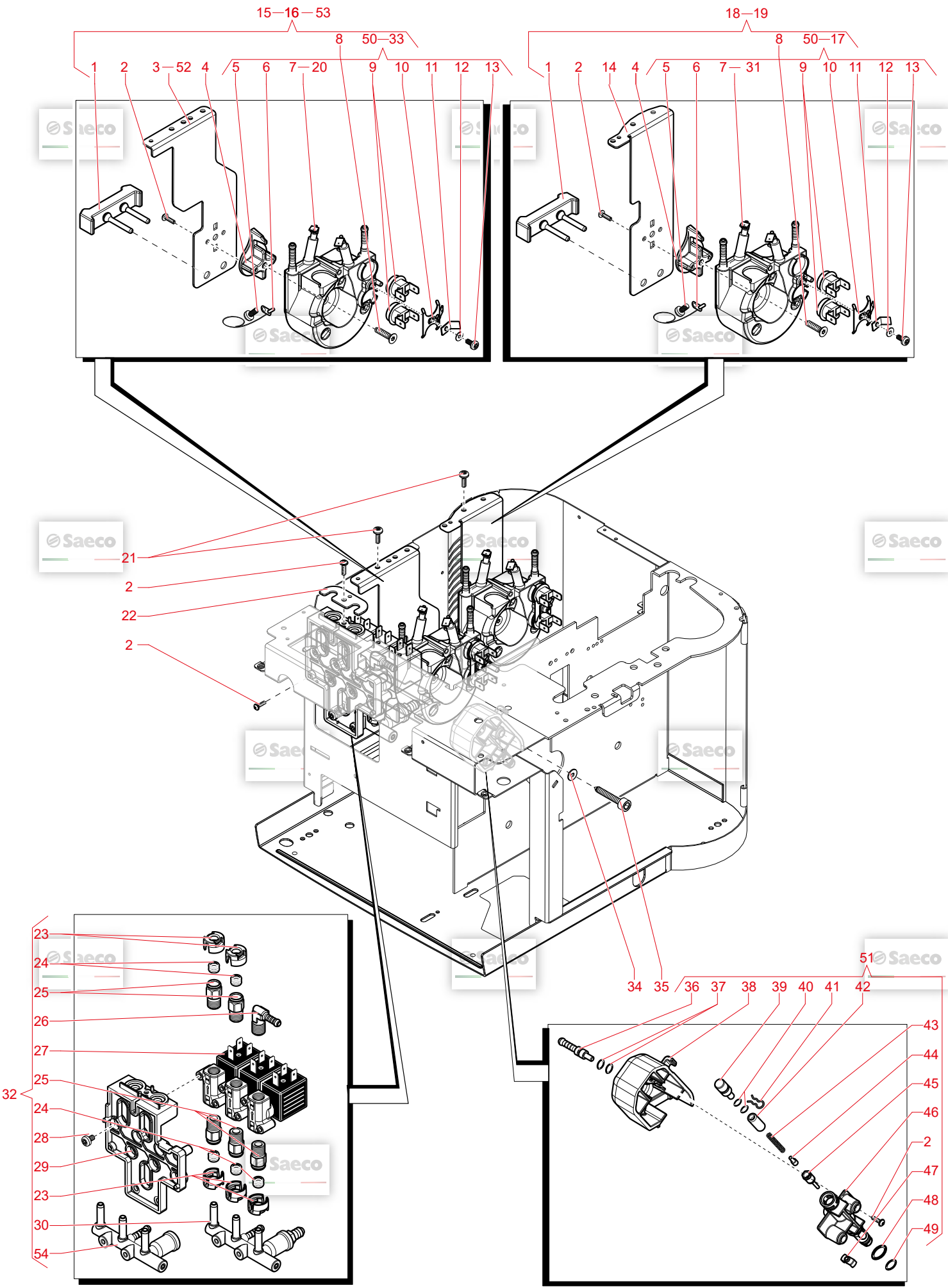
14/01/2020

04

C0103X00

GAGGIO MONTANO

© by Saeco, a company of Evoca Group



N.POSI	COD	I - DESCRIZIONE	UK - DESCRIPTION	F - DESCRIPTION	D - BEZEICHNUNG	E - DESCRIPCION	NOTE
1	17000471	ANTIVIBRANTE CALD.RYL.NER.	BLACK BOILER ANTIVIBRATION RYL	ANTIVIBRATION CHAUDIERE	BLACK BOILER ANTIVIBRATION RYL	ANTIVIBRANTE CALD.RYL.NER.	230V
2	12000450	VITE TCBR 3.5X12 PLAST.ZN-N	SCREW TCBR TORX 10 3.5X12 PLAST	VIS TCBR TORX 10 3.5X12 PLASTZN	TORXSCHRAUBE 3.5X12	VITE TCBR 3.5X12 PLAST.ZN-N	120V - NA
3	12000450	SUPP.CALD.TUB.VAP.V2 RYL.ACC.	STEEL STEAM TUBOL.BOILER SUPPORT	SUPP.CALD.TUB.VAP.V2 RYL.ACC.	SUPP.CALD.TUB.VAP.V2 RYL.ACC.	SUPP.CALD.TUB.VAP.V2 RYL.ACC.	120V - NA
4	421944057621	SUPP.FISSAG.CALDAIE TUB.SLIM V	NEU SLIM TUB.BOILERS SUPPORT V2	NEU SLIM TUB.BOILERS SUPPORT V2	NEU SLIM TUB.BOILERS SUPPORT V2	NEU SLIM TUB.BOILERS SUPPORT V2	120V - NA
5	120037402	VITE TCB PHISW 4X10 UNI 8112 Z	SCREW TAPT M4X10 DIN 7985 GALV	TEMPERATURE SENSOR NTC UL L=280M	Linsenschraube M4x10 DIN7985, ve	VITE TCB PHISW 4X10 UNI 8112 ZNP	120V - NA
6	190800100	SENSORE TEMPERATURA NTC ULL=2	TUB.BOILER XS4 1300W 230V ASSY.	CHAUDIERE TUBULAIRE NIE XS4 1300	Temperaturensensor NTC UL L=280 mm	TUB.BOILER XS4 1300W 230V ASSY.	120V - NA
7	421944024121	AS.CALD.TUB.XS4 1300W 230V	SCREW TSP TORX 10 5X35 PLAST.SS	VIS TSP 5X35 PLASTINOX	Tub. Boiler XS4 1300W 230V ASSY.	SCREW TSP TORX 10 5X35 PLAST.SS	120V - NA
8	12001369	VITE TSP 5X35 PLASTINOX	THERMOSTAT ONE SHOT 190°	THERMOSTAT ONE SHOT 190°	Thermostat 190°C ONE SHOT	TERMOSTATO ONE SHOT 190°	120V - NA
9	12001033	TERMOSTATO ONE SHOT 190°	TUB.BOILER V3 UPPER THERM.FIXING	RESSORT V3 UPPER THERM.THERMOSTAT	HALTBÜGEL MIT PE	MOLLA FERM.TERMOS.SUP.CALD.TUB.V	120V - NA
10	11001751	FASTON PIEGATO 45° 6.3X0.8 OTT	BRASS BEINT FASTON 45° 6.3X0.8	RACCORD DE PROTECTION 45° 6.3X0.	Schutzleiterschleife 45°	FASTON PIEGATO 45° 6.3X0.8 OTTON	120V - NA
11	124390520	ROSETTA UNI 8842 A4 ZINC.	GALV.WASHER UNI 8842 A4	RONDELLE UNI 8842 A4 ZINC	FÄCHSCHRAIBE A4,3	ROSETTA UNI 8842 A4 ZINC.	120V - NA
12	128310402	VITE TCB M4X8 AUTOFORM.S/TEST.	SCREW TCB TORX 20 M4X8 AUTOFORMI	VIS CB TORX 20 M4X8 AUTOFORMING	TORXSCHRAUBE 4X8	SCREW TCB TORX 20 M4X8 AUTOFORMI	120V - NA
13	12001715	VITE TCB M4X8 AUTOFORM.S/TEST.	STEEL.COFFEE.TUBOL.BOILER SUPPOR	SUPPORT CHAUD / TUBE CAFE	STEEL COFFEE TUBOL.BOILER SUPPOR	STEEL.COFFEE.TUBOL.BOILER SUPPOR	120V - NA
14	17000163	SUPP.CALD.TUB.CAF.RYL/T ACC.	STEAM TUB BOILER V2 RYL 230V ASS	CHAUDIERE TUBULAIRE VAPEUR COMPL	STEAM TUB BOILER V2 RYL 230V ASS	SUPP.CALD.TUB.CAF.RYL/T ACC.	120V - NA
15	4219441227702	AS.GEN.CALD.TUB.VAP.V2 RYL 230	COFFEE TUB.BOILER 230V V2 RYL/T	CHAUDIERE TUBULAIRE CAFE COMPLET	COFFEE TUB.BOILER 230V V2 RYL/T	AS.GEN.CALD.TUB.VAP.V2 RYL 230	120V - NA
16	2632229	AS.GEN.CALD.VAPEVO RYL 120V	SLIM TUB.BOILER 1300W 120V ASSY.	SLIM TUB.BOILER 1300W 120V ASSY.	SLIM TUB.BOILER 1300W 120V ASSY.	SLIM TUB.BOILER 1300W 120V ASSY.	120V - NA
17	421941227692	AS.CALD.SLIM EVO T190°-190°130	SCREW TCB TORX B 3.5X9.5 SCHEET	VIS TCB B 3.5X9.5 LAMIERA.ZN-N	TORXSCHRAUBE 3.5X9.5	VITE TCB B 3.5X9.5 LAMIERA.ZN-N	120V - NA
18	2632228	AS.GEN.CALD.CAF.EVO RYL 120V	STEEL.CONNECTORS FIXING PLATE RY	PLAQUE DE BLOCAGE	STEEL CONNECTORS FIXING PLATE RY	PIAS.BLOCCAG.RACCORDI RYL.ACC.	120V - NA
19	11023153	AS.CALD.TUB.SLIM 1300W 120V	"BLK EV 1/8""GAS.CONNECTOR V2 INSE"	INSERT RACCORDO ELECTROVANNE V2	"BLK EV 1/8""GAS.CONNECTOR V2 INSE"	"INS.RAC.1/8""GAS.ELETTROV2 RYL."	120V - NA
20	12001622	VITE TCB B 3.5X9.5 LAMIERA ZN-	"RED EV CONNECTOR 1/8""GAS SEAL V2"	CONNECTEUR ROUGE	"RED EV CONNECTOR 1/8""GAS SEAL V2"	"GUARN.RAC.1/8""GAS.ELETTROV2 RY"	120V - NA
21	12001622	VITE TCB B 3.5X9.5 LAMIERA ZN-	"TEA/BRASS ELECTROV.CONNECT1/8""GA"	"RAC.1/8""GAS.ELETTROV2 V2 RYL OT/T"	"RAC.1/8""GAS.ELETTROV2 RYL OT/T"	"RAC.1/8""GAS.ELETTROV2 RYL OT/T"	120V - NA
22	17000428	"INS.RAC.1/8""GAS.ELETTROV2 RYL.ACC.	L-F/BRASS CONNECTOR FOR BOILER A	ELECTROVANNE 2 VOIES	L-F/BRASS CONNECTOR FOR BOILER A	RAC.90°CALD-SIL.TELATO AURA OT/L	120V - NA
23	17001178	"INS.RAC.1/8""GAS.ELETTROV2 RYL.ACC.	LF/BRASS 2W.EV 21JN1R4V20-X031	SCREW TCB TORX 20 M4X6 ZN-B	LF/BRASS 2W.EV 21JN1R4V20-X031	LF/BRASS 2W.EV 21JN1R4V20-X031	120V - NA
24	17001909	"GUARN.RAC.1/8""GAS.ELETTROV2 RYL.ACC.	SCREW TCB TORX 20 M4X6 ZN-B	VIS TCB TORX 20 M4X6 ZN-B	SCREW TCB TORX 20 M4X6 ZN-B	VITE TCB TORX 20 M4X6 ZN-B	120V - NA
25	11027334	"RAC.1/8""GAS.ELETTROV2 RYL OT/T"	BLACK ELECTROV.CONNECTOR SUPPRY	SUPP.ELETTROV/RAC.3VOIE NOIR	BLACK ELECTROV.CONNECTOR SUPPRY	SUPP.ELETTROV/RAC.3VIE RYL.NER.	120V - NA
26	11024469	RAC.90°CALD-SIL.TELATO AURA OT	BRASS 4WAYS CONNECT+SAFETY VALVE	ENS.VALVES 4 VOIES	BRASS 4WAYS CONNECT+SAFETY VALVE	AS.RAC.4V.OT+VALV.SIC.5.5-7 B.V3	120V - NA
27	17001262	EV ODE 2 VIE 21JN1R4V20-X031	TUB.BOILER XS4 1300W 120V ASSY.	ENS.BLOC ELECTROVANNE 3 VOIES 24	TUB.BOILER XS4 1300W 120V ASSY.	AS.RAC.4V.OT+VALV.SIC.5.5-7 B.V3	120V - NA
28	U043.012	VITE TCB TORX 20 M4X6 ZN-B	TEA/BRASS ELECTROV.V3 24V RYL/T	ENS.BLOC ELECTROVANNE 3 VOIES 24	TEA/BRASS ELECTROV.V3 24V RYL/T	AS.ELETTROVALVOLE V3 RYL/T OT/TE	120V - NA
29	17000168	SUPP.ELETTROV/RAC.3VIE RYL NER	WASHER UNI 8842 A5 SS	RONDELLE	WASHER UNI 8842 A5 SS	AS.ELETTROVALVOLE V3 RYL/T OT/TE	120V - NA
30	17001908	AS.RAC.4V.OT+VALV.SIC.5.5-7 B.	GALVANIZED SELF-TAPPING SCREW 4,	VITE TCEI AUTOFILET.4.8X32 ZINC	GALVANIZED SELF-TAPPING SCREW 4,	ROSETTA UNI 8842 A5 INOX	120V - NA
31	4219440406121	AS.CALD.TUB.XS4 1300W 120V	TEA/BRASS CONNECTOR FOR SILICONE	ADAPTEUR DE LIAISON TUBE	TEA/BRASS CONNECTOR FOR SILICONE	VITE TCEI AUTOFILET.4.8X32 ZINC	120V - NA
32	11031414	AS.ELETTROVALVOLE V3 RYL/T OT/	OR 2015 SILICONE PTFE/FDA	JOINT OR 2015 SILICONE ROUGE	OR 2015 SILICONE PTFE/FDA	RAC.FAST LOCK DIR.TUBO SIL.RETIN	120V - NA
33	263231	AS.CALD.SLIM EVO C2 T190°-190°	BLACK HOT WATER PIN SUPPORT RYL	SUPPORT PIVOT	BLACK HOT WATER PIN SUPPORT RYL	OR 2015 SILICONE PTFE/FDA	120V - NA
34	128310521	ROSETTA UNI 8842 A5 INOX	TEA/BRASS HOT WATER PIN PLUG RYL	BOUCHON PIVOT	TEA/BRASS HOT WATER PIN PLUG RYL	SUPP.PERNO PASS.ACQ.CALDA RYL NE	120V - NA
35	11003555	VITE TCEI AUTOFILET.4.8X32 ZIN	OR ORM 0040-20 SILICONE	JOINT OR 0040-20 SILICONE	OR ORM 0040-20 SILICONE	TAPPO PERNO PASS.ACQ.CALDA RYL O	120V - NA
36	11000750	RAC.FAST LOCK DIR.TUBO SIL.RET	SS FORK FOR TUBE D=4	AGRAFE TUYAU	SS FORK FOR TUBE D=4	OR ORM 0040-20 SILICONE	120V - NA
37	140328059	OR 2015 SILICONE PTFE/FDA	TEA/BRASS BOILER PIN BUSH	BAGUE LAITON	TEA/BRASS BOILER PIN BUSH	OR ORM 0040-20 SILICONE	120V - NA
38	17000156	SUPP.PERNO PASS.ACQ.CALDA RYL	TEA/BRASS PIN FOR PISTON L=10	PIVOT POUR PISTON L=10 OT/TEA	TEA/BRASS PIN FOR PISTON L=10	FORCELLA X TUBO D=4 INOX	120V - NA
39	11026413	TAPPO PERNO PASS.ACQ.CALDA RYL	SS SPRING FOR PIN	RESSORT POUR EPINGLE	SS SPRING FOR PIN	BOCC.PERNO CALD OT/TEA	120V - NA
40	140326662	OR ORM 0040-20 SILICONE	TEA/BRASS PISTON L=20.9 ASSY.	ENS PISTON	TEA/BRASS PISTON L=20.9 ASSY.	PERNO X PISTONCINO L=10 OT/TEA	120V - NA
41	9011.144	FORCELLA X TUBO D=4 INOX	NATURAL CURSOR V2 FOR BOILER P11	PIPETTE CHAUDIERE	NATURAL CURSOR V2 FOR BOILER P11	AS.PISTONCINO C/GOLA L=20.9 OT/T	120V - NA
42	11009012	BOCC.PERNO CALD OT/TEA	OR ORM 0090-20 SILICONE	CURSEUR DE CHAUDIERE	OR ORM 0090-20 SILICONE	PERNO PASS.ACQ.CALDA	120V - NA
43	11009013	PERNO X PISTONCINO L=10 OT/TEA	OR ORM 0050-20 IN SILICONE	JOINT OR ORM 90-20	OR ORM 0050-20 SILICONE	CURSORE CALD.V2 P119 PEEK NAT.	120V - NA
44	9011.132	MOLLA PISTONCINO INOX	SLIM T.CHAUD V2 C2 T190°-190° 1300	CHAUDIERE SLIM V2 T190°-190° 1300	SLIM T.CHAUD V2 C2 T190°-190° 1300	OR ORM 0090-20 SILICONE	120V - NA
45	11009019	AS.PISTONCINO C/GOLA L=20.9 OT	TEA/BRASS HOT WATER PIN RYL ASSY	ENS.PIVOT PASSAGE EAU CHAUDE	TEA/BRASS HOT WATER PIN RYL ASSY	OR ORM 0050-20 SILICONE	120V - NA
46	9161.434	PERNO PASS.ACQ.CALDA	STEAM TUBOL.BOILER SUPPRYLO V2	STEAM TUBOL.BOILER SUPPRYLO V2	STEAM TUBOL.BOILER SUPPRYLO V2	AS.CALD.T.SLIM V2 C2 T190°-190°1	120V - NA
47	11005089	CURSORE CALD.V2 P119 PEEK NAT.	STEAM TUBOL.BOILER SUPPRYLO V2	STEAM TUBOL.BOILER SUPPRYLO V2	STEAM TUBOL.BOILER SUPPRYLO V2	AS.PERNO PASS.ACQ.CALDA RYL OT	120V - NA
48	NM01.035	OR ORM 0090-20 SILICONE	STEAM TUB BOILER RYLO KR.230V	STEAM TUB BOILER RYLO KR.230V	STEAM TUB BOILER RYLO KR.230V	SUPP.CALDAIA VAP.RYLO V2 KR	120V - NA
49	NM01.057	OR ORM 0050-20 SILICONE	PLUG. TEA/BRASS 4 WAYS CONNECTA	PLUG. TEA/BRASS 4 WAYS CONNECTA	PLUG. TEA/BRASS 4 WAYS CONNECTA	AS.GEN.CALD.TUB.VAP.RYLO KR.230V	120V - NA
50	421941229822	AS.CALD.T.SLIM V2 C2 T190°-190				AS.GEN.CALD.TUB.VAP.RYLO KR.230V	120V - NA
51	11025744	AS.PERNO PASS.ACQ.CALDA RYL OT				AS.GEN.CALD.TUB.VAP.RYLO KR.230V	120V - NA
52	17004031	SUPP.CALDAIA VAP.RYLO V2 KR				AS.RAC.4 VIE-TAP. OT/TEA	120V - NA
53	17004043	AS.GEN.CALD.TUB.VAP.RYLO KR.230V					120V - NA
54	17004101	AS.RAC.4 VIE-TAP. OT/TEA					120V - NA



Aulika EVO Top HSC/RI

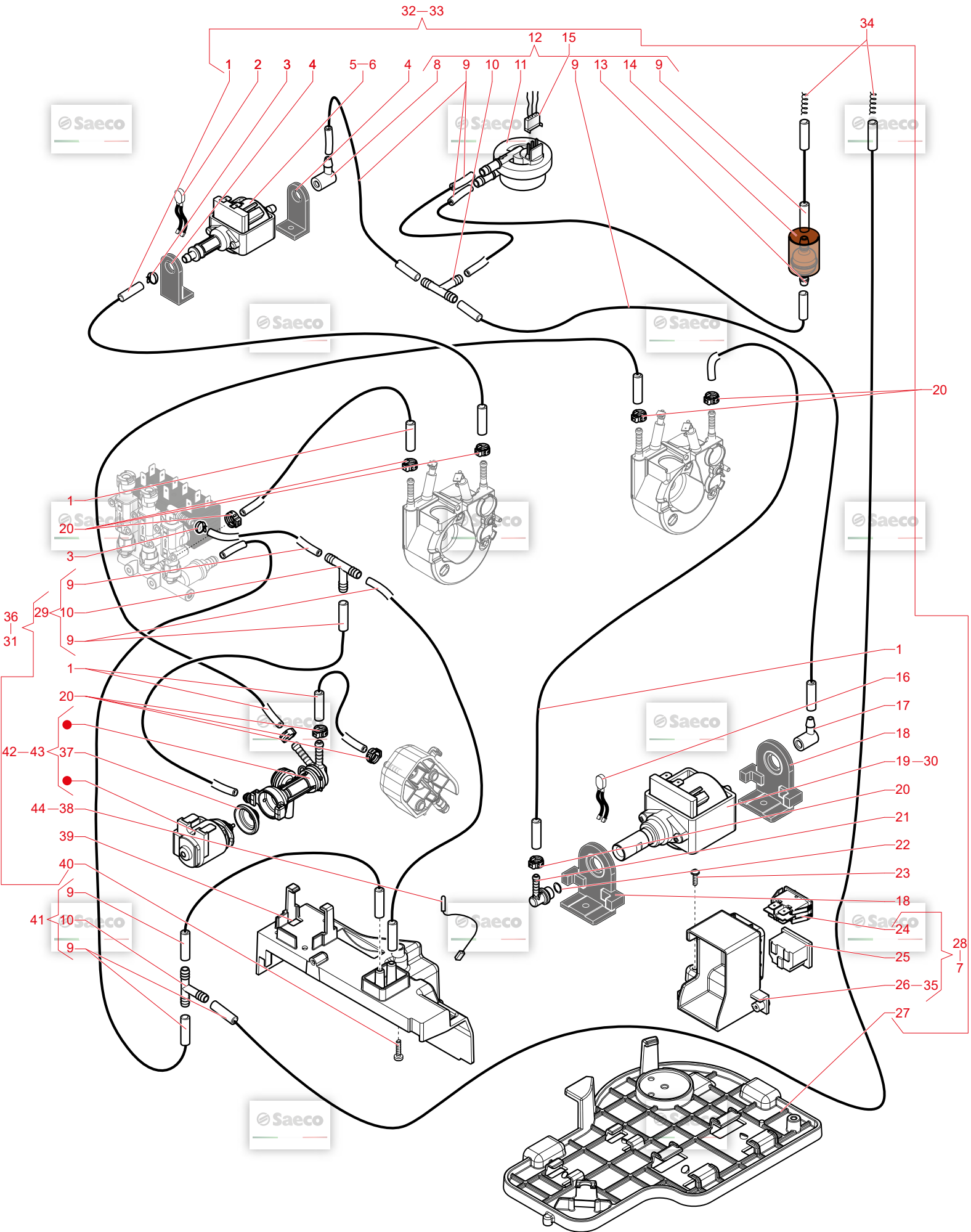
14/01/2020

05

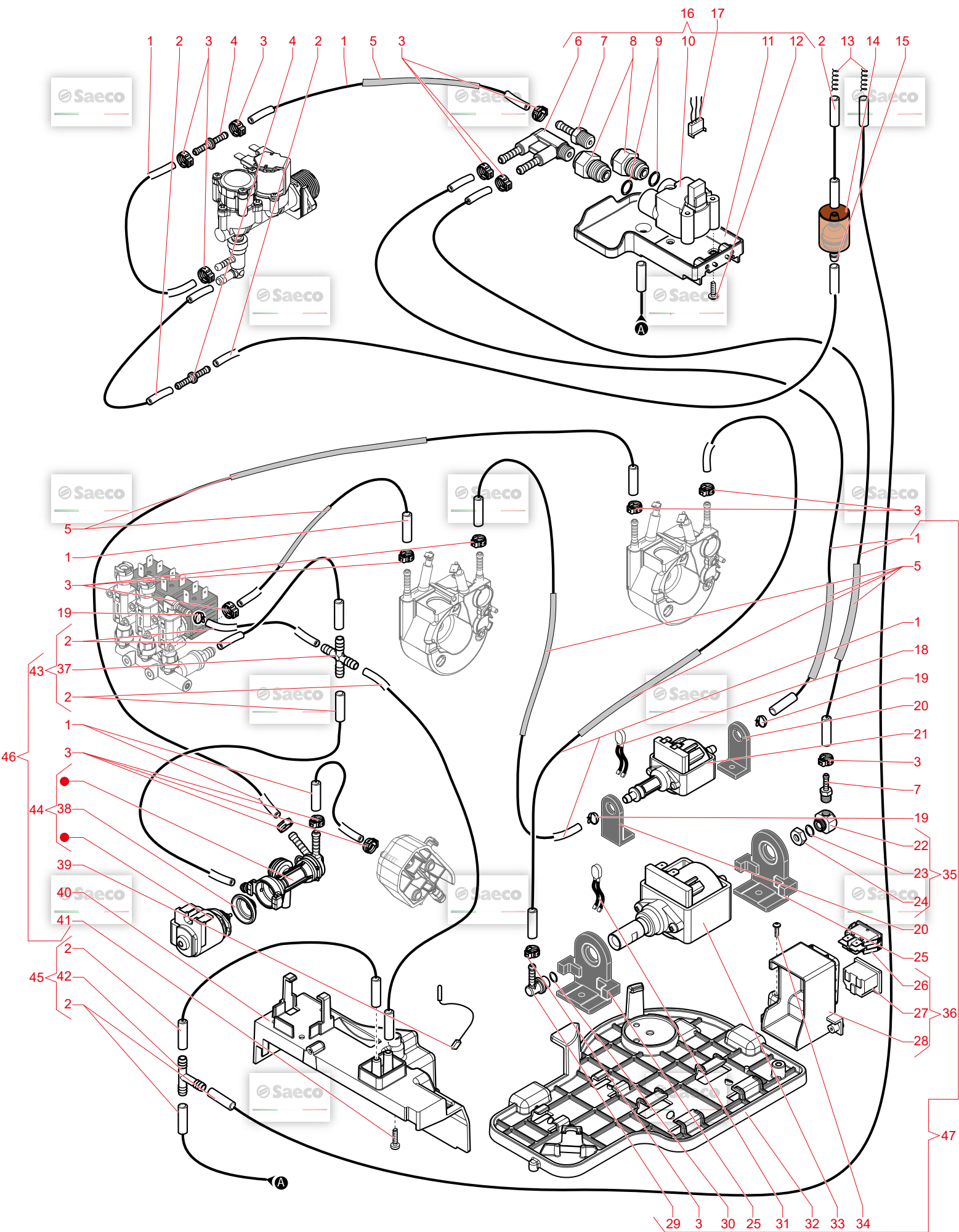
C0103X00

GAGGIO MONTANO

© by Saeco, a company of Evoca Group - GAGGIO MONTANO

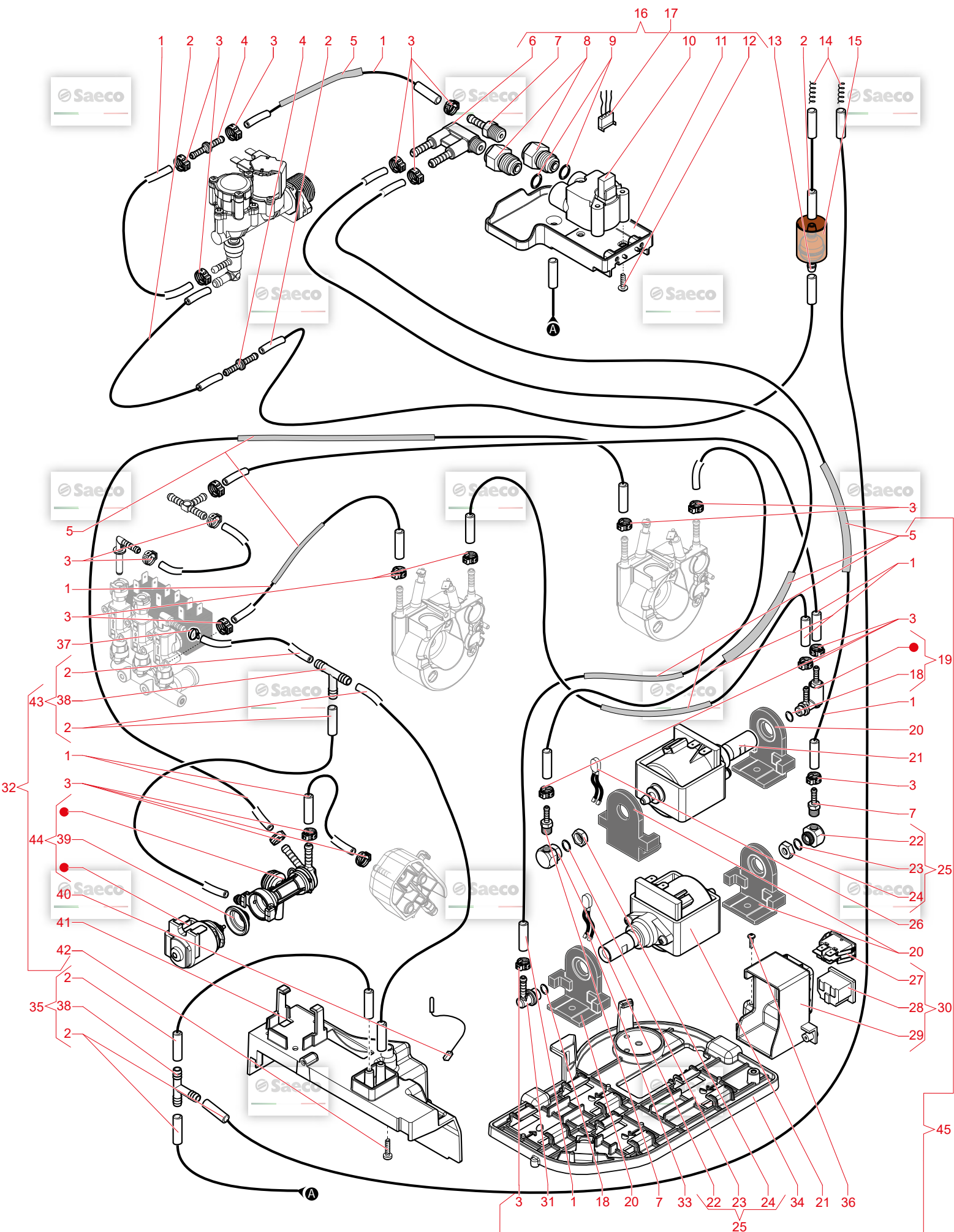


N.POSI	COD	I - DESCRIZIONE	UK - DESCRIPTION	F - DESCRIPTION	D - BEZEICHNUNG	E - DESCRIPCION	NOTE
1	11027788	TUBO SIL.RETIN.5X8.9 L=2000MM	PINK 5X8.9 SILICONE TUBE L=2000MM	TUBO SIL.RETIN.5X8.9 L=2000MM RO	TUBO SIL.RETIN.5X8.9 L=2000MM RO	TUBO SIL.RETIN.5X8.9 L=2000MM RO	
2	17800203	AS.CONN.2P.POMPA VAP RYL UL	2POLES CONNECTOR STEAM PUMP RYL	CONNECTEUR 2 POLES POMPE UL	2POLES CONNECTOR STEAM PUMP RYL	AS.CONN.2P.POMPA VAP RYL UL	
3	18432020	MOLLA STRINGITUBO D=9.5MM ZINC	SPRING HOSE CLAMP D=9.5MM	ATTACHE DE TUYAU D=9.5	Schlauchklammer Pumpenwinkel	MOLLA STRINGITUBO D=9.5MM ZINC	
4	11029554	SUPP.POMPA UL KA MF SBD/NER.	BLACK/SBD ULKA MF PUMP SUPPORT	SUPPORT POMPE ULKA	BLACK/SBD ULKA MF PUMP SUPPORT	SUPP.POMPA UL KA MF SBD/NER.	
5	12001212	POMPA ULKA MF 230V-50HZ	ULKA PUMP MF 230V-50HZ	POMPE ULKA MF 230V-50HZ	Ulka-Pumpe MF 230V-50HZ klein	POMPA ULKA MF 230V-50HZ	230V
6	12001346	AS.CONN.IEC PRESA VASCHET. 120	ULKA PUMP MF 120V-60HZ	ULKA PUMP MF 120V-60HZ	Ulka-Pumpe MF Klein 120V-60HZ	ULKA PUMP MF 120V-60HZ	120V - NA
7	263206	RAC.INGRESSO A 90° POMPA ULKA	90° INLET CONNECTOR FOR PUMP ULK	RAC. A 90° POMPA ULKA MF	90° Anschlußgummi Pumpe	RAC.INGRESSO A 90° POMPA ULKA MF	
8	11012193	TUBO SILICONE 5X10 TRASP. L.20	SILICONE TUBE 5X10 L.2000MM	SILICONE TUBE 5X10 L.2000MM	Siliconschlauch 5x10 L.2000MM	TUBO SILICONE 5X10 TRASP. L.2000	
9	11035450	RAC.T D=8 ART.80.26.047 KA.461	TRANS. CONNECTOR D=8 ART.80.26.04	RACCORD EN TE D=8mm	"Verteilerstück -"™- Kunststoff"	RAC.T D=8 ART.80.26.047 KA.461 T	
10	147920300	AS.TURBINA D=1.2	TURBINE D=1.2 ASSY.	DEBITMETRE D=1.2	TURBINA D=1.2	AS.TURBINA D=1.2	120V - NA
11	NV99.099	ASS.GEN.TURBINA TOP RYL/H	TRANSP.WHITE ASPIRATION FILTER M	FILTRE D'ASPIRATION	Ansaufilter MDS weiß/transparen	FILTRO ASPIRAZ.MDS BIA/TRASP	
12	263227	FILTRO ASPIRAZ.MDS BIA/TRASP.	BLK PROTECTION FOR FOLK SPRING T	PROTECTION DE TUBE	Abdeckung zu Klemmfieder	FILTRO ASPIRAZ.MDS BIA/TRASP	
13	12001595	PROTEZ.MOLLA.A.FORCELLA TUBO D	6P.CONN.FLOWMETER V3 RYL UL ASSY	CONNECTEUR 6 POLES	6P.CONN.FLOWMETER V3 RYL UL ASSY	PROTEZ.MOLLA.A.FORCELLA TUBO D=4	
14	147756662	AS.CONN.6PTURBINA V3 RYL UL	2POLES CONNECTOR COFFEE PUMP RYL	CONNECTEUR 2 POLES POMPE CAFE	2POLES CONNECTOR COFFEE PUMP RYL	AS.CONN.6PTURBINA V3 RYL UL ASSY	
15	17800202	AS.CONN.2P.POMPA CAF RYL UL	90° INLET PUMP CONNECTOR	RACCORD 90° CAOUTCHOUC	Pumpenschlußwinkel 90° weiß Ku	AS.CONN.2P.POMPA CAF RYL UL	
16	147920150	RAC.INGRESSO A 90° POMPA NEU.	BLACK PUMP SUPPORT GMYB	SUPPORT POMPE NOIR GMYB	Support Pumpe	RAC.INGRESSO A 90° POMPA NEU.	
17	11022857	SUPP.POMPA GMYB NER.	ULKA PUMP EP5/S 120V-60HZ	NON UTILISE POUR LA FRANCE ET LE	Ulka-Pumpe EX5 120V	SUPP.POMPA GMYB NER.	120V - NA
18	12000131	POMPA ULKA EP5/S 120V-60HZ	OETIKER CLAMP D=9.5 16700004	AGRAFES OETIKER D=9.5 16700004	OETTINGERKLEMMME D=9.5	POMPA ULKA EP5/S 120V-60HZ	
19	12000892	FASCETTA OETIKER D=9.5 16700000	BLK PUMP OUTLET 90°CONNECTOR P00	RACCORD 90° SORTIE DE POMPE	Raccord 90° zu Pumpe	FASCETTA OETIKER D=9.5 16700004	
20	11001054	RAC.90° USCITA POMPA P0049/B N	O-RING 2031 NFDA NBR 70 FDA	O-RING 2031 NFDA NBR 70 FDA	O-RING 2031 NFDA NBR 70 FDA	RAC.90° USCITA POMPA P0049/B NER	
21	11001054	OR.2031 NFDA NBR 70 FDA	SCREW TORX 10.3.5X12 PLAST.	VIS TCBR TORX 10.3.5X12 PLASTZN	TORXSCHRAUBE 3.5X12	OR.2031 NFDA NBR 70 FDA	
22	140321961	VITE TCBR 3.5X12 PLASTZN	BIPOLAR SWITCH FUSIT C1250AR	INTERRUPTEUR BIPOLAIRE	Schalter Eir/Aus MA-RD	VITE TCBR 3.5X12 PLASTZN	
23	12000450	INT.BIPOL.FUSIT C1250AR	CUP SOCKET V3 EN 60320 C 13	SOCLE DE PRISE	CUP SOCKET V3 EN 60320 C 13	INT.BIPOL.FUSIT C1250AR	
24	NE03.038	PRESA A VASCH.C/SMUSSI V3 EN 6	BLACK SOCKET-SWITCH SUPPORT RYL	NON UTILISÉ PAR LA FRANCE ET BE	BLACK SOCKET-SWITCH SUPPORT RYL	PRESA A VASCH.C/SMUSSI V3 EN 603	
25	12001883	SUPP.PRESA E INTERRUT RYL ULN	BLACK COMPONENTS SUPPORT RYLO	SUPPORT DE COMPOSANT NOIR	BLACK COMPONENTS SUPPORT RYLO	SUPP.PRESA E INTERRUT RYL ULN	
26	11028204	SUPP.COMPONENTI RYLO NER.	VALVE/VEV DRAIN TUBES RYL ASSY.			SUPP.COMPONENTI RYLO NER.	
27	17000973	AS.CONN.IEC PRESA VASCHETTA EU	ULKA PUMP EP5FMGW 230V-50HZ	POMPE ULKA EP5FMGW 230V-50HZ	ULKA PUMP EP5FMGW 230V-50HZ	AS.CONN.IEC PRESA VASCHETTA EU	
28	263201	AS.TUBI SCARICO E/V/VAL RYL	120V/BLK PROT+BLOWDOWN VALVE RYL			AS.TUBI SCARICO E/V/VAL RYL	
29	11025741	POMPA ULKA EP5FMGW 230V-50HZ	COMPONENTS SUPP.V3 230V RYLO ASS			POMPA ULKA EP5FMGW 230V-50HZ	
30	421941305991	AS.PROT+VALV.SCARICO RYLO NER/	SPRING FOR TUBE PRODUCT 1	RESSORT POUR TUBE PRODUIT 1	FEDER IN SCHLAUCH	AS.PROT+VALV.SCARICO RYLO NER.	
31	421941304711	AS.SUPP.COMPONENTI RYL V2 120V	BLACK SOCKET-SWITCH SUPPORT RYL	SUPPORT PRISE INTERRUPTEUR	Support Stecker und Schalter sch	AS.SUPP.COMPONENTI RYL V2 120V	
32	263388	AS.SUPP.COMPONENTI RYL V2 120V	230V/BLK PROT+BLOWDOWN VALVE RYL	AS.PROT+VALV.SCARICO RYL/T NER/2	AS.PROT+VALV.SCARICO RYL/T NER/2	AS.SUPP.COMPONENTI RYL V2 120V	
33	11034678	AS.SUPP.COMPONENTI V3 RYLO 230	BLOWDOWN VALVE MEMBRANE SEAL P00	GUARNIZ A MEMBRANA VALV.SCARICO	GUARNIZ A MEMBRANA VALV.SCARICO	AS.SUPP.COMPONENTI V3 RYLO 230	
34	0701.081	MOLLA X TUBO PRODOTTO 1	3P.CONN.DUMP BOX REED SENS.V2 RY	CONNECTEURS 3 POLES	3P.CONN.DUMP BOX REED SENS.V2 RY	MOLLA X TUBO PRODOTTO 1	
35	17000162	SUPP.PRESA E INTERRUT RYL NER.	BLACK DRIP TRAY PROTECTION RYL	PROTECTION BAC RECUPEAU	BLACK DRIP TRAY PROTECTION RYL	SUPP.PRESA E INTERRUT RYL NER.	
36	11025743	AS.PROT+VALV.SCARICO RYL/T NER.	SCREW TCB TORX 10.3X12 PLASTZN-	VIS TCB 3X12 PLASTZN-B	Torx-Schraube 3x12 ZN-B	AS.PROT+VALV.SCARICO RYL/T NER.	
37	11001513	GUARNIZ A MEMBRANA VALV.SCARIC	WATER CONTAINER/VEV DRAIN TUBES R	BLOWDOWN VALVE V3 RYL 230V ASSY.	BLOWDOWN VALVE V3 RYL 230V ASSY.	GUARNIZ A MEMBRANA VALV.SCARICO	
38	421946004691	AS.CONN.3P.SENS REED CAS.FOND.	BLOWDOWN VALVE V3 RYL 120V ASSY.	CONNECTEUR 2 POLES	2POLES CONNECT-SENSOR REED DUMP	AS.CONN.3P.SENS REED CAS.FOND.	
39	17000165	PROT.VASCA REC.ACQ.RYL NER.				PROT.VASCA REC.ACQ.RYL NER.	
40	129913902	VITE TCB 3X12 PLASTZN-B				VITE TCB 3X12 PLASTZN-B	
41	11027095	AS.TUBI SCARICO E/CONT.ACQ.RY				AS.TUBI SCARICO E/CONT.ACQ.RY	
42	11025742	AS.VALV.SCARICO V3 RYL 230V				AS.VALV.SCARICO V3 RYL 230V	
43	11028187	AS.VALV.SCARICO V3 RYL 120V				AS.VALV.SCARICO V3 RYL 120V	
44	17800442	AS.CONN.2P.SENS REED FONDI CST				AS.CONN.2P.SENS REED FONDI CST	



N.POSI	COD	I - DESCRIZIONE	UK - DESCRIPTION	F - DESCRIPTION	D - BEZEICHNUNG	E - DESCRIPCION	NOTE
1	11027788	TUBO SIL.RETIN.5X8.9 L=2000MM	PINK 5X8.9 SILICONE TUBE L=2000MM	TUBO SIL.RETIN.5X8.9 L=2000MM RO	TUBO SIL.RETIN.5X8.9 L=2000MM RO	TUBO SIL.RETIN.5X8.9 L=2000MM RO	
2	11035450	TUBO SILICONE 5X10 TRASP. L.20	SILICONE TUBE 5X10 L.2000MM	SILICONE TUBE 5X10 L.2000MM	SILICONE TUBE 5X10 L.2000MM	TUBO SILICONE 5X10 TRASP. L.2000	
3	12000892	FASCETTA OETIKER D=9.5 16700004	OETIKER CLAMP D=9.5 16700004	AGRAFES OETIKER D=9.5 16700004	OETTINGERKLEIMME D=9.5	FASCETTA OETIKER D=9.5 16700004	
4	17001018	RAC.RI RYLO RI NER.	BLACK WATER SUPPLY CONNECTOR RYL	RACCORD	RACCORD	RAC.RI RYLO RI NER.	
5	11032467	TUBO SILICONE 11X12.8 L=2000 MM	SILICONE TUBE 11X12.8 L.2000 MM	TUBO SILICONE 11X12.8	Siliconschlauch 11X12.8 l=2mtf.	TUBO SILICONE 11X12.8 L=2000 MM	
6	11010243	RAC.90°DOPPIO ATAC.SILIC.RETI	TEA/BRASS 90° DOUBLE CONNECTOR	RACCORD DOUBLE 90°	Doppelschlauch 90° Anschluss Siliko	TEA/BRASS 90° DOUBLE CONNECTOR	
7	11006304	"RAC.DIR.1/8" G./FRESCA CALD.AL."	TEA/BRASS CONNECTOR FOR ALUM.BOI	"RACCORD LATON 1/8"	"Raccord gerade 1/8" Boiler messi"	"RAC.DIR.1/8" G./FRESCA CALD.AL.OT"	
8	9181.406	RAC.TURBINA MF 1/4 1/8 OT/TEA	TEA/BRASS CONNECTOR TURBINE MF 1	RACCORD TURBINE MF 1/4 1/8 TEA	"RACCORD TURBINE MF 1/4 1/8"	RAC.TURBINA MF 1/4 1/8 OT/TEA	
9	NM01.049	OR ORM 0070-20 SILICONE	OR ORM 0070-20 SILICONE	JOINT OR ORM.0070-20	O-Ring ORM.0070-20	OR ORM 0070-20 SILICONE	
10	N99.033	TURBINA IN PLASTICA	TURBINE IN PLASTIC	TURBINETTE PLASTIQUE	Turbine o.Reduzieraccord	TURBINA IN PLASTICA	
11	17000821	SUPP.TURBINA RYLO NER.	BLACK TURBINE SUPPORT RYLO	SUPPORT DEBIMETRE	BLACK TURBINE SUPPORT RYLO	BLACK TURBINE SUPPORT RYLO	
12	U109.011	VITE AUT.TCB 3.9X9.5 DIN 7981 C	screw AUT.TCB 3.9X9.5 DIN 7981 C	VIS TCB3.9X9.5DIN7981CNIK	Blechscharube 3.9X9.5	VITE AUT.TCB 3.9X9.5 DIN 7981 C	
13	0701.081	MOLLA X TUBO.PRODOTTO 1	SPRING FOR TUBE PRODUCT 1	RESSORT POUR TUBE PRODUIT 1	FEDER IN SCHLAUCH	MOLLA X TUBO PRODOTTO 1	
14	147756662	PROTEZ.MOLLA.A.FORCELLA TUBO D	BLK PROTECTION FOR FOLK SPRING T	PROTECTION DE TUBE	Abdeckung zu Klemmfeder	PROTEZ.MOLLA.A.FORCELLA TUBO D=4	
15	12001595	FILTRO ASPIRAZ.MDS BIA/TRASP.	TRANS/WHITE ASPIRATION FILTER M	FILTRE D'ASPIRATION	Ansaugfilter MDS weiß/transparen	FILTRO ASPIRAZ.MDS BIA/TRASP.	
16	11025871	AS.GEN.TURBINA RYLO	GEN.TURBINE RYLO ASSY.	GEN.TURBINE RYLO ASSY.			
17	421946001561	AS.CONN.6P.TURBINA V2 RYLO UL	6P CONN.FLOWMETER V2 RYLO UL ASS	CONNECTEUR 6 POLES DEBIT METRE		6P.CONN.FLOWMETER V2 RYLO UL ASS	
18	17800203	AS.CONN.2P.POMPA VAP RYL UL	2POLES CONNECTOR STEAM PUMP RYL	CONNECTEUR 2 POLES POMPE UL		AS.CONN.2P.POMPA VAP RYL UL	
19	184320200	MOLLA STRINGITUBO D=9.5MM ZINC	SPRING HOSE CLAMP D=9.5MM	ATTACHE DE TUYAU D.9.5	Schlauchklemme Pumpenwinkel	MOLLA STRINGITUBO D=9.5MM ZINC.G	
20	11029554	SUPP.POMPA ULKA MF SBD/NER.	BLACK/SBD ULKA MF PUMP SUPPORT	SUPPORT POMPE ULKA	ULKA-Pumpe MF 230V-50HZ klein	SUPP.POMPA ULKA MF SBD/NER.	
21	12001212	POMPA ULKA MF 230V-50HZ	ULKA PUMP MF 230V-50HZ	POMPE ULKA MF 230V-50HZ	"RACCORD POST.1/8"	POMPA ULKA MF 230V-50HZ	
22	9181.350	"RACC.POST.1/8" POMPA ULKA OT/TT"	"TEA/BRASS REAR CONNECTOR 1/8" UL"	JOINT OR R6 NBR	O-Ring R6 NBR	"TEA/BRASS REAR CONNECTOR 1/8" UL"	
23	NM03.017	OR R6 NBR	O-RING R6 NBR	JOINT OR R6 NBR		OR R6 NBR	
24	9071.054	DADO RACC.POST.POMPA ULKA OT.	BRASS NUT FOR ULKA PUMP REAR CON	ECROU ARRIERE POMPE ULKA	Mutter zu Raccord	DADO RACC.POST.POMPA ULKA OT.	
25	11022857	SUPP.POMPA GMYB NER.	BLACK PUMP SUPPORT GMYB	SUPPORT POMPE NOIR GMYB	Support Pumpe	SUPP.POMPA GMYB NER.	
26	NE03.038	INT.BIPOL.FUSIT C1250AR	BIPOLAR SWITCH FUSIT C1250AR	INTERRUPTEUR BIPOLAIRE	Schalter Ein/Aus MA-RD	INT.BIPOL.FUSIT C1250AR	
27	12001883	PRESA A VASCH.C/SMUSSI V3 EN 6	CUP SOCKET V3 EN 60320 C.13	SOCLE DE PRISE	CUP SOCKET V3 EN 60320 C.13	PRESA A VASCH.C/SMUSSI V3 EN 603	
28	17000182	SUPP.PRESA E INTERRUT.RYL NER.	SUPP.PRESA E INTERRUT.RYL NER.	SUPPORT PRISE INTERRUPTEUR	Support Stecker und Schalter sch	SUPP.PRESA E INTERRUT.RYL NER.	
29	11001054	RAC.90° USCITA POMPA P0049/B N	BLK PUMP OUTLET 90° CONNECTOR P00	RACCORD 90° SORTIE DE POMPE	Raccord 90° zu Pumpe	RAC.90° USCITA POMPA P0049/B NER	
30	140321961	OR 2031 NFDA NBR 70 FDA	O-RING 2031 NFDA NBR 70 FDA	O-RING 2031 NFDA NBR 70 FDA	O-Ring 2031 NFDA NBR 70 FDA	OR 2031 NFDA NBR 70 FDA	
31	17800202	AS.CONN.2P.POMPA CAF RYL UL	AS.CONN.2P.POMPA CAF RYL UL	CONNECTEUR 2 POLES POMPE CAFE		AS.CONN.2P.POMPA CAF RYL UL	
32	17000973	SUPP.COMPONENTI RYLO NER.	BLACK COMPONENTS SUPPORT RYLO	SUPPORT DE COMPOSANT NOIR	BLACK COMPONENTS SUPPORT RYLO	SUPP.COMPONENTI RYLO NER.	
33	421941305981	POMPA ULKA EP5FMGW 230V-50HZ	ULKA PUMP EP5FMGW 230V-50HZ	POMPE ULKA EP5FMGW 230V-50HZ	TORXSCHRAUBE 3.5X12	ULKA PUMP EP5FMGW 230V-50HZ	
34	12000450	VITE TCBR 3.5X12 PLAST.ZN-N	SCREW TCBR TORX 10 3.5X12 PLAST.	VIS TCBR TORX 10 3.5X12 PLASTZN		VITE TCBR 3.5X12 PLASTZN-N	
35	9079.A37	"ASS.RACC.POST.1/8" POMPA ULKA"	REAR CONN. ASS. M6 FOR ULKA PUMP	CONNEXION ARRIERE M5 POMPE ULKA			
36	263201	AS.CONN.IEC.PRESA VASCHETTA EU	AS.CONN.IEC.PRESA VASCHETTA EU	GUARNIZ.A MEMBRANA VALV.SCARICO		RAC.A.CROCE D=8 RYLO TRASP.	
37	12001812	RAC.A.CROCE D=8 RYLO TRASP.	BLACK DOWN VALVE CONNECTOR D=8 RYLO	CONNECTEUR 2 POLES		RAC.A.CROCE D=8 RYLO TRASP.	
38	11001513	GUARNIZ.A MEMBRANA VALV.SCARIC	BLOWDOWN VALVE MEMBRANE SEAL P00	CONNECTEUR 2 POLES		GUARNIZ.A MEMBRANA VALV.SCARICO	
39	178000442	AS.CONN.2P.SENS REED FONDI CST	2POLES CONNECTOR SENSOR REED DUMP	CONNECTEUR 2 POLES		2POLES CONNECTOR SENSOR REED DUMP	
40	17000165	PROT.VASCA REC.ACQ.RYL NER.	BLACK DRIP TRAY PROTECTION RYL	PROTECTION BAC RECUP.EAU		BLACK DRIP TRAY PROTECTION RYL	
41	129913902	VITE TCB 3X12 PLAST.ZN-B	SCREW TCB TORX 10 3X12 PLAST.ZN-	VIS TCB 3X12 PLAST.ZN-B	Torx-Schraube 3x12 ZN-B	VITE TCB 3X12 PLAST.ZN-B	
42	147920300	RAC.T D=8 ART.80.26.047 KA.461	TRANS.CONNECTOR D=8 ART.80.26.04	RACCORD EN TE D=8mm	"Verteilstück" Kunststoff	RAC.T D=8 ART.80.26.047 KA.461 T	
43	11030213	AS.TUBI SCARICO EV/VALV.SICVA	SAFETY VALVE/EV DRAIN TUBES RYLO	ENS ELECTROVANNE V3 230V		AS.TUBI SCARICO EV/VALV.SICVA	
44	11025742	AS.VALV.SCARICO V3 RYL 230V	BLOWDOWN VALVE V3 RYL 230V ASSY.			AS.VALV.SCARICO V3 RYL 230V	
45	11029674	AS.TUBI SCARICO TURBI/CONT.ACQ.	WATER CONT/TURBINE DRAIN TUBES R				
46	11030199	AS.PROT+VALV.SCARICO RYLO NER/	230V/BLK PROT+BLOWDOWN VALVE RYL				
47	421944023731	AS.SUPP.COMPONENTI V2 RYLO 230	COMPONENTS SUPP.V2 230V RYLO ASS				





N.POSI COD	I - DESCRIZIONE	UK - DESCRIPTION	F - DESCRIPTION	D - BEZEICHNUNG	E - DESCRIPCION
1	11027788 TUBO SIL.RETIN.5X8.9 L=2000MM	PINK 5X8.9 SILICONE TUBE L=2000MM	TUBO SIL.RETIN.5X8.9 L=2000MM RO	TUBO SIL.RETIN.5X8.9 L=2000MM RO	TUBO SIL.RETIN.5X8.9 L=2000MM RO
2	11035450 TUBO SILICONE 5X10 TRASP. L.20	SILICONE TUBE 5X10 L.2000MM	SILICONE TUBE 5X10 L.2000MM	SILICONE TUBE 5X10 L.2000MM	TUBO SILICONE 5X10 TRASP. L.2000
3	12000892 FASCETTA OETIKER D=9.5 16700004	OETIKER CLAMP D=9.5 16700004	AGRAFES TUBE D=9.5 16700004	OETTINGERKLEIMME D=9.5	FASCETTA OETIKER D=9.5 16700004
4	17001018 RAC.RI RYLO RI NER.	BLACK WATER SUPPLY CONNECTOR RYL	RACCORD	RACCORD	RAC.RI RYLO RI NER.
5	11032467 TUBO SILICONE 11X12.8 L=2000 MM	SILICONE TUBE 11X12.8 L.2000 MM	TUBO SILICONE 11X12.8	Doppelschlauch 11X12.8 l=2mtf.	TUBO SILICONE 11X12.8 L=2000 MM
6	11010243 RAC.90°DOPPIO ATTC.SILIC.RETI	TEABRASS 90° DOUBLE CONNECTOR	RACCORD DOUBLE 90°	RACCORD DOUBLE 90°	TEABRASS 90° DOUBLE CONNECTOR
7	11006304 "RAC.DIR.1/8" G.C/RESCA CALD.AL."	TEABRASS CONNECTOR FOR ALUM.BOI	"RACCORD LATON 1/8"	"Raccord gerade 1/8" Boiler messl"	"RAC.DIR.1/8" G.C/RESCA CALD.AL.OT"
8	9181.406 RAC.TURBINA MF 1/4 1/8 OT/TEA	TEABRASS CONNECTOR TURBINE MF 1	RACCORD TURBINE MF 1/4 1/8 TEA	"RACCORD TURBINE MF 1/4" 1/8"	RAC.TURBINA MF 1/4 1/8 OT/TEA
9	NM01.049 OR ORM 0070-20 SILICONE	OR ORM 0070-20 SILICONE	JOINT OR ORM.0070-20	O-Ring ORM 0070-20	OR ORM 0070-20 SILICONE
10	NV99.033 TURBINA IN PLASTICA	TURBINE IN PLASTIC	TURBINETTE PLASTIQUE	Turbine o.Reduzieraccord	TURBINA IN PLASTICA
11	17000821 SUPP.TURBINA RYLO NER.	BLACK TURBINE SUPPORT RYLO	SUPPORT DEBIMETRE	BLACK TURBINE SUPPORT RYLO	BLACK TURBINE SUPPORT RYLO
12	1109.011 VITE AUT.TCB 3.9X9.5 DIN 7981 C	screw AUT.TCB 3.9X9.5 DIN 7981 C	VIS TC83.9X9.5DIN7981CNIK	Blechschrauber 3.9x9.5	VITE AUT.TCB 3.9X9.5 DIN 7981 C
13	12001595 FILTRO ASPIRAZ.MDS BIA/TRASP.	TRANS.WHITE ASPIRATION FILTER M	FILTRE D'ASPIRATION	Ansaufilter MDS weiß/transparen	FILTRO ASPIRAZ.MDS BIA/TRASP.
14	0701.081 MOLLA X TUBO.PRODOTTO 1	SPRING FOR TUBE PRODUCT 1	RESSORT POUR TUBE PRODUIT 1	FEDER IN SCHLAUCH	MOLLA X TUBO.PRODOTTO 1
15	147766562 PROTEZ.MOLLA FORCELLA TUBO D	BLK PROTECTION FOR FOLK SPRING T	PROTECTION DE TUBE	Abdeckung zu Klemmfeder	PROTEZ.MOLLA FORCELLA TUBO D=4
16	11025871 AS.GEN.TURBINA RYLO	GEN.TURBINE RYLO ASSY.	CONNECTEUR 6 PPOLES DEBIT METRE	6P.CONN.FLOWMETER V2 RYLO UL ASS	6P.CONN.FLOWMETER V2 RYLO UL ASS
17	421946001561 OR 2031 NFDA NBR 70 FDA	O-RING 2031 NFDA NBR 70 FDA	O-RING 2031 NFDA NBR 70 FDA	O-Ring 2031 NFDA NBR 70 FDA	OR 2031 NFDA NBR 70 FDA
18	140321961 AS.VALV.SICUREZZA 5 BAR	SAFETY VALVE 5 BAR ASSY.	SAFETY VALVE 5 BAR ASSY.	SAFETY VALVE 5 BAR ASSY.	AS.VALV.SICUREZZA 5 BAR
19	17004041 SUPP.POMPA GMYB NER.	BLACK PUMP SUPPORT GMYB	ULKA PUMP EP5/S GW 220V-60HZ	Support Pumpe	SUPP.POMPA GMYB NER.
20	11022857 POMPA ULKA EP5/S GW 220V-60HZ	ULKA PUMP EP5/S GW 220V-60HZ	ULKA PUMP EP5/S GW 220V-60HZ NO	Pumpe Ulka	POMPA ULKA EP5/S GW 220V-60HZ
21	12000182 DADO RACC.POST.POMPA ULKA OT.	BRASS NUT FOR ULKA PUMP REAR CON	ECROU ARRIERE POMPE ULKA	Mutter zu Raccord	DADO RACC.POST.POMPA ULKA OT.
22	9071.054 OR R6 NBR	O-RING R6 NBR	JOINT OR R6 NBR	O-Ring R6 NBR	OR R6 NBR
23	NM03.017 "RACC.POST.1/8" POMPA ULKA OT/T"	"TEABRASS REAR CONNECTOR 1/8" UL"	"RACCORD POST.1/8"	"TEABRASS REAR CONNECTOR 1/8" UL"	"TEABRASS REAR CONNECTOR 1/8" UL"
24	9181.350 "ASS.RACC.POST.1/8" POMPA ULKA"	REAR CONN. ASS. M5 FOR ULKA PUMP	CONNEXION ARRIERE M5 POMPE ULKA	REAR CONN. M5 FOR ULKA PUMP	"ASS.RACC.POST.1/8" POMPA ULKA"
25	9079.A37 AS.CONN.2P.POMPA VAP/V2RYL UL	2P CONN STEAM PUMP V2 RYL UL ASS	2P CONN STEAM PUMP V2 RYL UL ASS	2P.CONN.STEAM PUMP V2 RYL UL ASS	AS.CONN.2P.POMPA VAP/V2RYL UL
26	17004120 INT.BIPOL.FUSIT C1250AR	BIPOLAR SWITCH FUSIT C1250AR	INTERRUPTEUR BIPOLAIRE	Schalter Ein/Aus MA-RD	INT.BIPOL.FUSIT C1250AR
27	NE03.038 PRESA A VASCH.C/SMUSSI V3 EN 6	CUP SOCKET V3 EN 60320 C 13	SOCLE DE PRISE	CUP SOCKET V3 EN 60320 C 13	PRESA A VASCH.C/SMUSSI V3 EN 603
28	12001863 SUPP.PRESA E INTERRU.TRYL NER.	BLACK SOCKET-SWITCH SUPPORT RYL	SUPPORT PRISE INTERRUPTEUR	Support Stecker und Schalter sch	SUPP.PRESA E INTERRU.TRYL NER.
29	17000162 263201	BLK PUMP OUTLET 90°CONNECTOR P00	RACCORD 90° SORTIE DE POMPE	Raccord 90° zu Pumpe	RAC.90° USCITA POMPA P0049/B NER
30	11001054 AS.PROT+VALV.SCARICO RYLO NER/	220V/BLK PROT+BLOWDOWN VALVE RYL	CONNECTEUR 2 POLES POMPE CAFE	220V/BLK PROT+BLOWDOWN VALVE RYL	AS.PROT+VALV.SCARICO RYLO NER/22
31	17004117 AS.CONN.2P.POMPA CAF.RYL UL	2POLES CONNECTOR COFFEE PUMP RYL	CONNECTEUR 2 POLES POMPE CAFE	2POLES CONNECTOR COFFEE PUMP RYL	AS.CONN.2P.POMPA CAF.RYL UL
32	17000202 SUPPORTO COMPONENTI RYLO V2 KR	BLK COMPONENTS SUPPORT RYLO V2 K	BLK COMPONENTS SUPPORT RYLO V2 K	BLK COMPONENTS SUPPORT RYLO V2 K	SUPPORTO COMPONENTI RYLO V2 KR
33	11029674 AS.TUBI SCARICO TURB/CON.T.ACQ.	WATER CONT/TURBINE DRAIN TUBES R	ATTACHE DE TUYAU D.9.5	TORXSCHraube 3.5X12	VITE TCBR 3.5X12 PLASTZN-N
34	184320200 MOLLA STRINGITUBO D=9.5MM ZINC	SPRING HOSE CLAMP D=9.5MM	RACCORD EN TE D=8mm	Schlauchklemme Pumpenwinkel	MOLLA STRINGITUBO D=9.5MM ZINC.G
35	12000450 RAC.T D=8 ART.80.26.047 KA.461	TRANS.CONNECTOR D=8 ART.80.26.04	GUARNIZ.A MEMBRANA VALV/SCARICO	"Verteilerstück "" "" Kunststoffs"	RAC.T D=8 ART.80.26.047 KA.461 T
36	11029674 VITE TCBR 3.5X12 PLASTZN-N	BLOWDOWN VALVE MEMBRANE SEAL P00	CONNECTEUR 2 POLES	2POLES CONNECT SENSOR REED DUMP	VITE TCBR 3.5X12 PLASTZN-N
37	147920300 GUARNIZ.A MEMBRANA VALV/SCARIC	2POLES CONNECT SENSOR REED DUMP	PROTECTION BAC REC.U.PEAU	BLACK DRIP TRAY PROTECTION RYL	GUARNIZ.A MEMBRANA VALV/SCARICO
38	11001513 AS.CONN.2P.SENS REED FONDI CST	BLACK DRIP TRAY PROTECTION RYL	PROTECTION BAC REC.U.PEAU	BLACK DRIP TRAY PROTECTION RYL	AS.CONN.2P.SENS REED FONDI CST
39	17800442 VITE TCB 3X12 PLASTZN-B	SAFETY VALVE/EV DRAIN TUBES RYLO	VIS TCB 3X12 PLASTZN-B	Torx-Schraube 3x12 ZN-B	VITE TCB 3X12 PLASTZN-B
40	17000165 AS.TUBI SCAR. EV/VALV.SIC/VALV	BLOWDOWN VALVE V3 RYL 220V-60HZ	ENS ELECTROVANNE V3 220V-60HZ	BLOWDOWN VALVE V3 RYL 220V-60HZ	AS.TUBI SCAR. EV/VALV.SIC/VALV
41	129913902 AS.VALV.SCARICO V3 RYL 220V-60	COMPONENTS SUPP.ASSY. RYLO V2 KR	COMPONENTS SUPP.ASSY. RYLO V2 KR	COMPONENTS SUPP.ASSY. RYLO V2 KR	AS.VALV.SCARICO V3 RYL 220V-60HZ
42	17004116 AS.SUPP.COMP.RYLO V2 KOREA	COMPONENTS SUPP.ASSY. RYLO V2 KR	COMPONENTS SUPP.ASSY. RYLO V2 KR	COMPONENTS SUPP.ASSY. RYLO V2 KR	AS.SUPP.COMP.RYLO V2 KOREA
43	11028161				
44	17004040				
45					



Aulika EVO Top HSC/RI

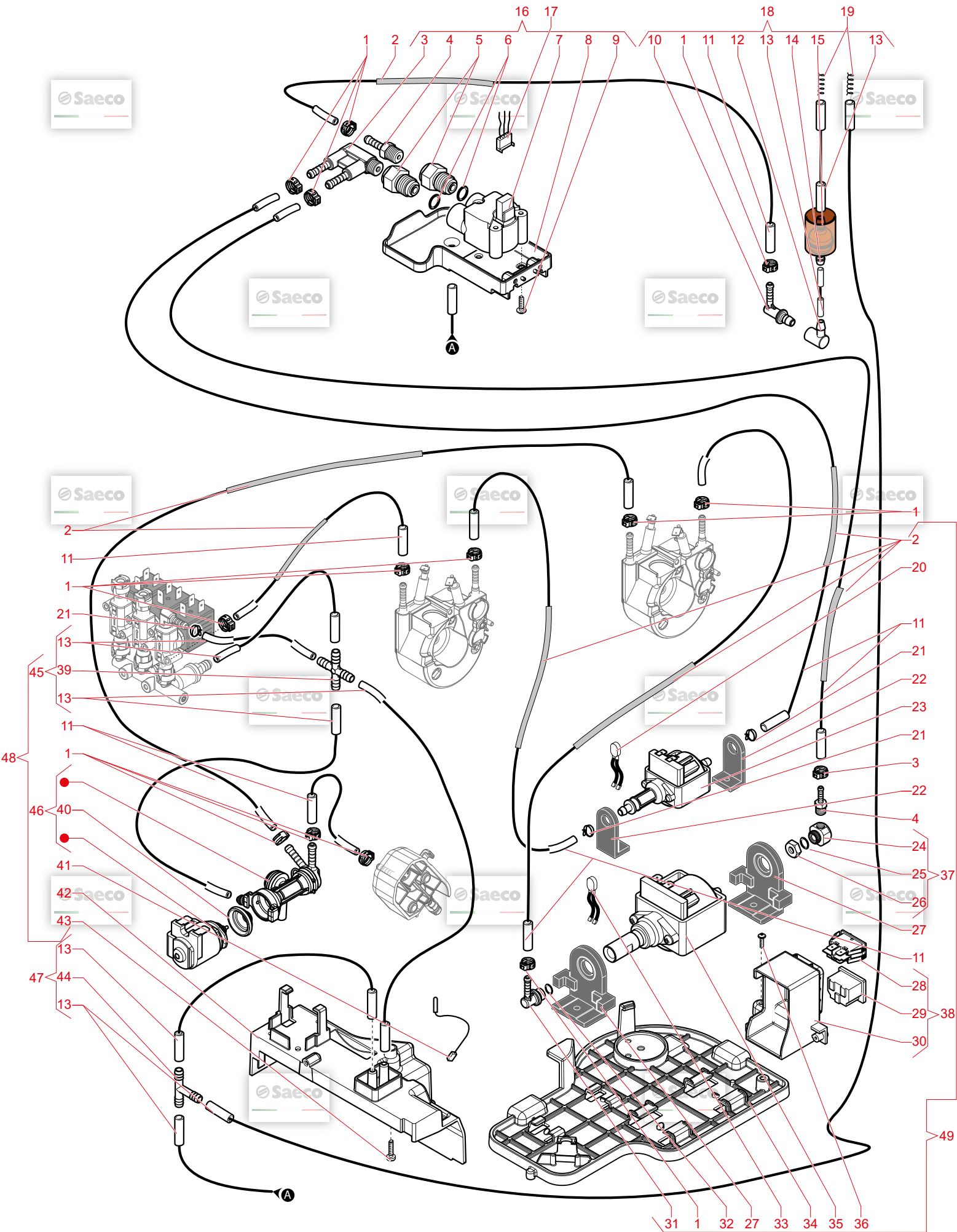
14/01/2020

08

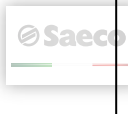
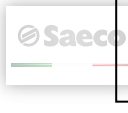
C0103X00

GAGGIO MONTANO

© by Saeco, a company of Evoca Group



N.POSI	COD	I - DESCRIZIONE	UK - DESCRIPTION	F - DESCRIPTION	D - BEZEICHNUNG	E - DESCRIPCION
1	12000892	FASCETTA OETIKER D=9.5 L=2000 M	OETIKER CLAMP D=9.5 L=2000MM	AGRAFES OETIKER D=9.5 L=2000MM	OETTINGERKLEMMME D=9.5	FASCETTA OETIKER D=9.5 L=2000MM
2	11010247	TUBO SILICONE 11X12.8 L=2000 MM	SILICONE TUBE 11X12.8 L=2000MM	TUBE SILICONE 11X12.8	Doppelschlauch 11X12.8 l=2mtr.	TUBO SILICONE 11X12.8 L=2000 MM
3	11010263	TEABRASS 90° DOUBLE CONNECTOR	TEABRASS 90° DOUBLE CONNECTOR	RACCORD DOUBLE 90°	"RACCORD gerade 1/8""	TEABRASS 90° DOUBLE CONNECTOR
4	11006304	"RAC.DIR.1/8""C./RES.CA.CALD.AL."	TEABRASS CONNECTOR FOR ALUM.BOI	"RACCORD LATON 1/8""	"Beller messl"	"RAC.DIR.1/8""C./RES.CA.CALD.AL.O.T"
5	9181.406	RAC.TURBINA MF 1/4 1/8 OTTIEA	TEABRASS CONNECTOR TURBINE MF-1	RACCORD TURBINE MF 1/4 1/8 TEA	"RACCORD ZU TURBINE MF 1/4"" 1/8""	RAC.TURBINA MF 1/4 1/8 OTTIEA
6	NV99.033	OR ORM 0070-20 SILICONE	TURBINE IN PLASTIC	JOINT OR ORM 0070-20	O-Ring ORM 0070-20	OR ORM 0070-20 SILICONE
7	17000821	SUPP.TURBINA RYLO NER.	BLACK TURBINE SUPPORT RYLO	TURBINETTE PLASTIQUE	Turbine o.Reduzieraccord	TURBINA IN PLASTICA
8	U109.011	VITE AUT.TCB 3.9X9.5 DIN 7981 C	screw AUT.TCB 3.9X9.5 DIN 7981 C	SUPPORT DEBITMETRE	Blechschraube 3.9X9.5	VITE AUT.TCB 3.9X9.5 DIN 7981 C
9	17001358	RAC.90° CONT.ACQ.E TURBINA RYL	BLK WATER CONT/FLOWMETER 90° CONN	VIS TCB3.9X9.5DIN7981CNK	BLK WATER CONT/FLOWMETER 90° CONN	RAC.90° CONT.ACQ.E TURBINA RYLO
10	11027768	TUBO SIL.RETIN.5X8.9 L=2000MM	PINK 5X8.9 SILICONE TUBE L=2000MM	TUBO SIL.RETIN.5X8.9 L=2000MM RO	TUBO SIL.RETIN.5X8.9 L=2000MM RO	TUBO SIL.RETIN.5X8.9 L=2000MM RO
11	147920150	RAC.INGRESSO A 90° POMPA NEU.	90° INLET PUMP CONNECTOR	RACCORD 90° CAOUTCHOU	Pumpenschlusswinkel 90° weiß Ku	RAC.INGRESSO A 90° POMPA NEU.
12	11035450	TUBO SILICONE 5X10 L=2000MM	SILICONE TUBE 5X10 L=2000MM	SILICONE TUBE 5X10 L=2000MM	Siliconschlauch 5x10 L=2000MM	TUBO SILICONE 5X10 TRASP. L=2000
13	12001595	FILTRO ASPIRAZ.MDS BIA/TRASP.	TRANSP.WHTE ASPIRATION FILTER M	FILTRE D'ASPIRATION	Ansaugfilter MDS weiß/transparen	FILTRO ASPIRAZ.MDS BIA/TRASP.
14	147796562	PROTEZ.MOLLA FORCELLA TUBO D	BLK PROTECTION FOR FOLK SPRING T	PROTECTION DE TUBE	Abdeckung zu Klemmfeder	PROTEZ.MOLLA FORCELLA TUBO D=4
15	11025871	AS.GEN.TURBINA RYLO	GEN.TURBINE RYLO ASSY.	CONNECTEUR 6 PPOLES DEBIT METRE	6P.CONN.FLOWMETER V2 RYLO UL ASS	6P.CONN.FLOWMETER V2 RYLO UL ASS
16	421946001561	AS.CONN.6P.TURBINA V2 RYLO UL	ASPIRATION TUBES RYLO ASSY.	RESSORT POUR TUBE PRODUIT 1	FEDER IN SCHLAUCH	MOLLA X TUBO PRODOTTO 1
17	11029000	AS.TUBI ASPIRAZIONE V2 RYLO UL	SPRING FOR TUBE PRODUCT 1	CONNECTEUR 2 POLES POMPE UL	2POLES CONNECTOR STEAM PUMP RYL	AS.CONN.2P.POMPA VAP.RYL UL
18	0701.081	MOLLA X TUBO PRODOTTO 1	SPRING HOSE CLAMP D=9.5MM	ATTACHE DE TUYAU D'9.5	Schlauchklemme Pumpenwinkel	MOLLA STRINGITUBO D=9.5MM ZINC.G
19	17800203	AS.CONN.2P.POMPA VAP.RYL UL	BLACK/SBD ULKA MF PUMP SUPPORT	SUPPORT POMPE ULKA	Ulka-Pumpe MF klein 120V-60HZ	SUPP.POMPA ULKA MF SBD/NER.
20	18432020	MOLLA STRINGITUBO D=9.5MM ZINC	ULKA PUMP MF 120V-60HZ	ULKA PUMP MF 120V-60HZ	"RACCORD POST:1/8""	ULKA PUMP MF 120V-60HZ
21	12029554	SUPP.POMPA ULKA MF SBD/NER.	"TEABRASS REAR CONNECTOR 1/8"" UL"	"RACCORD POST:1/8""	O-Ring R6 NBR	"TEABRASS REAR CONNECTOR 1/8"" UL"
22	12001346	POMPA ULKA MF 120V-60HZ	O-RING R6 NBR	JOINT OR R6 NBR	Mutter zu Raccord	OR R6 NBR
23	12001346	"RACC.POST:1/8"" POMPA ULKA OTT"	BRASS NUT FOR ULKA PUMP REAR CON	ECROU ARRIERE POMPE ULKA	Support Pumpe	"RACC.POST:1/8"" POMPA ULKA OTT"
24	9181.350	OR R6 NBR	BLACK PUMP SUPPORT GMYB	INTERRUPTEUR BIPOLAIRE	Schalter Eitr/Aus MA-RD	OR R6 NBR
25	NM03.017	DADO RACC.POST.POMPA ULKA OT.	BIPOLAR SWITCH FUSIT C1250AR	SOCLE DE PRISE	CUP SOCKET V3 EN 60320 C 13	DADO RACC.POST.POMPA ULKA OT.
26	9071.054	SUPP.POMPA GMYB NER.	BLACK SOCKET SWITCH SUPPORT RYL	RACCORD 90° SORTIE DE POMPE	Raccord 90° zu Pumpe	SUPP.POMPA GMYB NER.
27	11022857	INT.BIPOL.FUSIT C1250AR	BLK PUMP OUTLET 90°CONNECTOR P00	O-RING 2031 NFDA NBR 70 FDA	O-RING 2031 NFDA NBR 70 FDA	INT.BIPOL.FUSIT C1250AR
28	NE03.088	PRESA A VASCH.C/SIMUSSI V3 EN 6	O-RING 2031 NFDA NBR 70 FDA	O-RING 2031 NFDA NBR 70 FDA	O-RING 2031 NFDA NBR 70 FDA	PRESA A VASCH.C/SIMUSSI V3 EN 603
29	12001838	SUPP.PRESA E INTERRUTTO RYL ULN	2POLES CONNECTOR COFFEE PUMP RYL	SUPPORT DE COMPOSANT NOIR	BLACK COMPONENTS SUPPORT RYLO	BLACK SOCKET SWITCH SUPPORT RYL
30	11028204	MOLLA STRINGITUBO D=9.5MM ZINC	ULKA PUMP EP5/S 120V-60HZ	NON UTILISE POUR LA FRANCE ET LE	Ulka-Pumpe EX5 120V	BLACK SOCKET SWITCH SUPPORT RYL
31	11001054	RAC.90° USCITA POMPA P0049/B N	SCREW TCB/TORX 10 3.5X12 PLAST.	VIS TCB/TORX 10 3.5X12 PLASTZN	TORXSCHRAUBE 3.5X12	RAC.90° USCITA POMPA P0049/B NER
32	140321961	OR 2031 NFDA NBR 70 FDA	REAR CONN. ASS. M5 FOR ULKA PUMP	CONNEXION ARRIERE M5 POMPE ULKA	REAR CONN. M5 FOR ULKA PUMP	OR 2031 NFDA NBR 70 FDA
33	17800202	AS.CONN.2P.POMPA CAF.RYL UL	IEC CONNECTOR RYL UL ASSY.	RACCORD 4 VOIES	TRANSP.CROSS CONNECTOR D=8 RYLO	AS.CONN.2P.POMPA CAF.RYL UL
34	17000973	SUPP.COMPONENTI RYLO NER.	TRANSP.CROSS CONNECTOR D=8 RYLO	GUARNIZ.A MEMBRANA VALV.SCARICO	GUARNIZ.A MEMBRANA VALV.SCARICO	SUPP.COMPONENTI RYLO NER.
35	12000131	POMPA ULKA EP5/S 120V-60HZ	BLOWDOWN VALVE MEMBRANE SEAL P00	CONNECTEUR 2 POLES	2POLES CONNECT SENSOR REED DUMP	POMPA ULKA EP5/S 120V-60HZ
36	12000450	VITE TCBR 3.5X12 PLAST.ZN-N	2POLES CONNECT SENSOR REED DUMP	PROTECTION BAC RECUIPEAU	BLACK DRIP TRAY PROTECTION RYL	VITE TCBR 3.5X12 PLAST.ZN-N
37	9079.A37	"ASS.RACC.POST.1/8""POMPA ULKA"	SCREW TCB TORX 10 3X12 PLASTZN-	VIS TCB 3X12 PLASTZN-B	Tox-Schraube 3x12 ZN-B	"ASS.RACC.POST.1/8""POMPA ULKA"
38	17800455	AS.CONN.IEC PRESA VASCHETRYL	TRANS.CONNECTOR D=8 ART.80.26.04	RACCORD EN TE D=8mm	"Verteilerstück "" "" Kunststoff"	AS.CONN.IEC PRESA VASCHETRYL
39	12001812	RAC.A CROCE D=8 RYLO TRASP.	SAFETY VALVE/EV DRAIN TUBES RYLO	BLOWDOWN VALVE V3 RYL 120V ASSY.	BLOWDOWN VALVE V3 RYL 120V ASSY.	RAC.A CROCE D=8 RYLO TRASP.
40	11001513	GUARNIZ.A MEMBRANA VALV.SCARIC	WATER CONT/TURBINE DRAIN TUBES R	COMPONENTS SUPP.120V RYLO ASSY.		GUARNIZ.A MEMBRANA VALV.SCARICO
41	17800442	AS.CONN.2P.SENS REED FONDI CST	120V/BLK PROT+BLOWDOWN VALVE RYL			2POLES CONNECT SENSOR REED DUMP
42	17000165	PROT.VASCA REC.ACO.RYL.NER.				PROT.VASCA REC.ACO.RYL.NER.
43	129913902	VITE TCB 3X12 PLASTZN-B				VITE TCB 3X12 PLAST.ZN-B
44	147920300	RAC.T D=8 ART.80.26.047 KA.461				RAC.T D=8 ART.80.26.047 KA.461 T
45	11030213	AS.TUBI SCARICO EV/VALV.SICVA				AS.TUBI SCARICO EV/VALV.SICVA
46	11028187	AS.VALV.SCARICO V3 RYL 120V				AS.VALV.SCARICO V3 RYL 120V
47	11029674	AS.TUBI SCARICO TURB/CONT.ACQ.				AS.TUBI SCARICO TURB/CONT.ACQ.
48	421941304711	AS.PROT+VALV.SCARICO RYLO NER/				AS.PROT+VALV.SCARICO RYLO NER/
49	421941304721	AS.SUPP.COMPONENTI RYLO 120V				AS.SUPP.COMPONENTI RYLO 120V



Aulika EVO Top HSC/RI

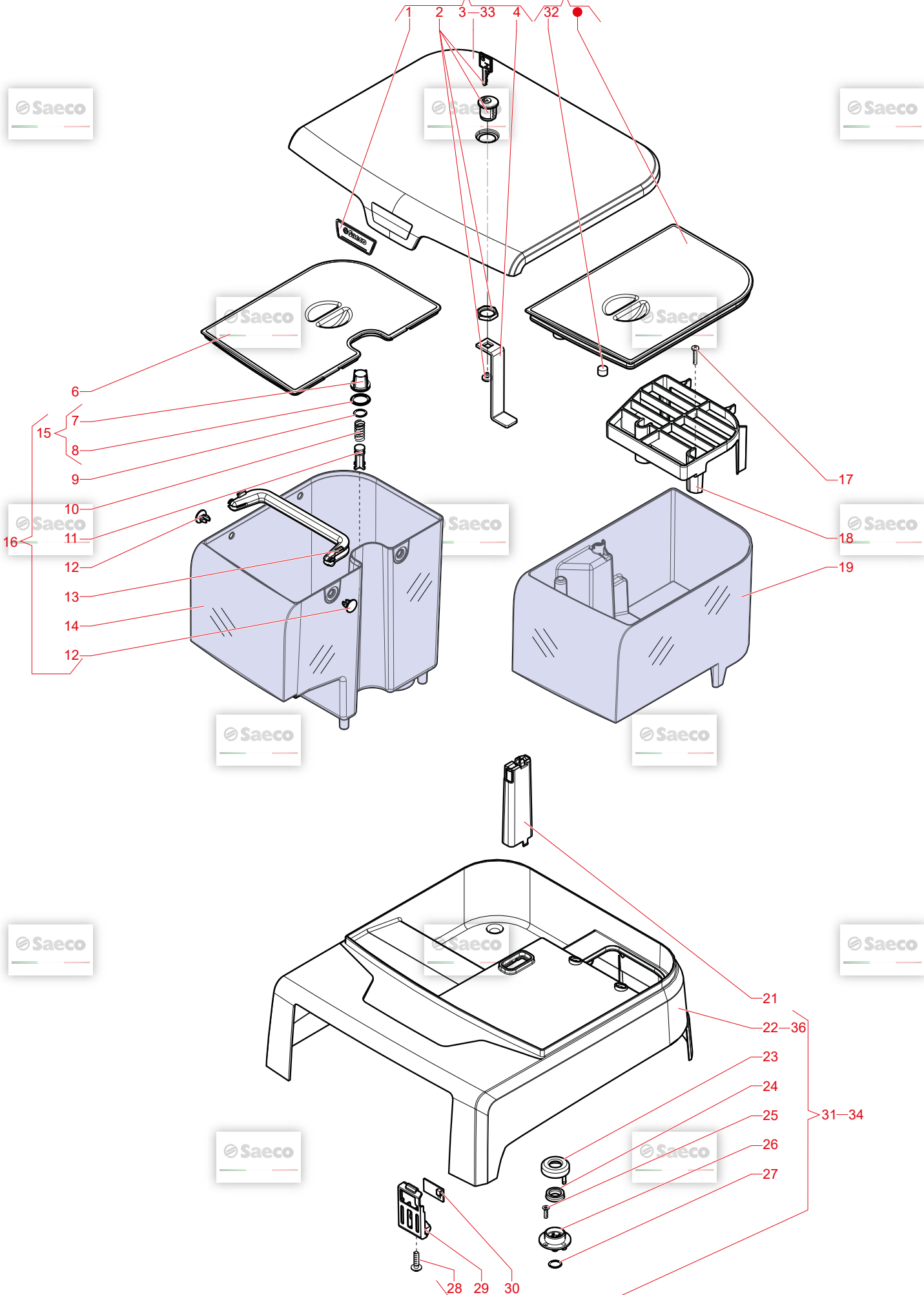
14/01/2020

09

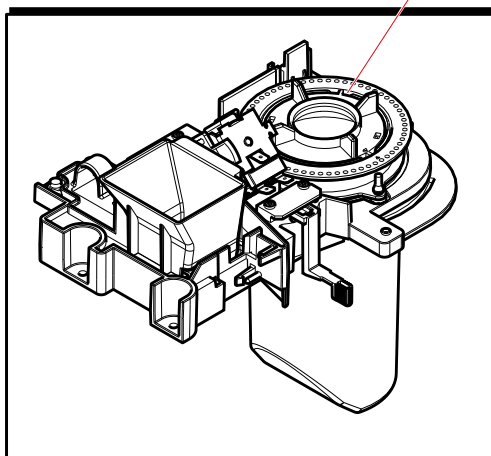
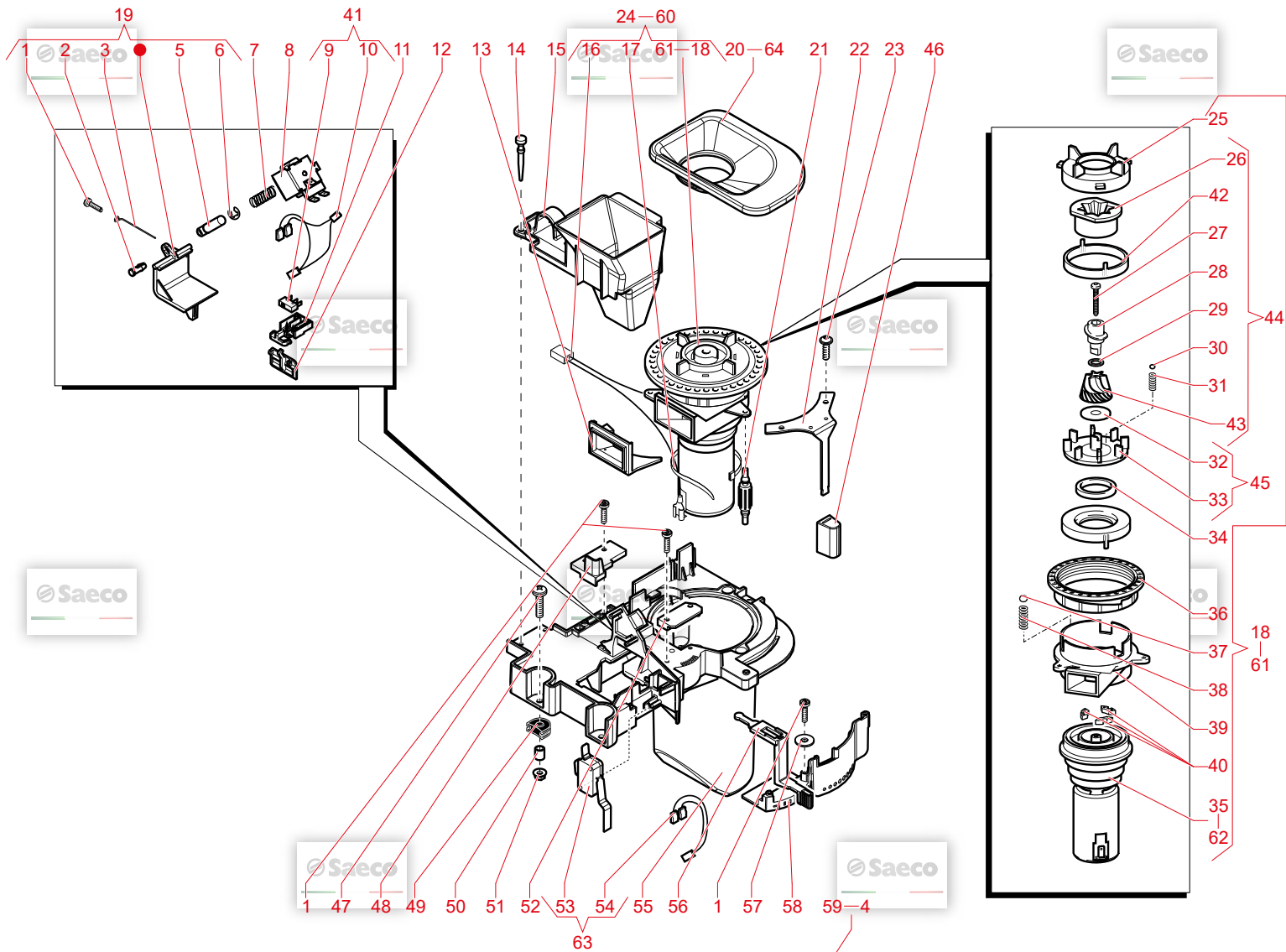
C0103X00

GAGGIO MONTANO

© by Saeco, a company of Evoca Group

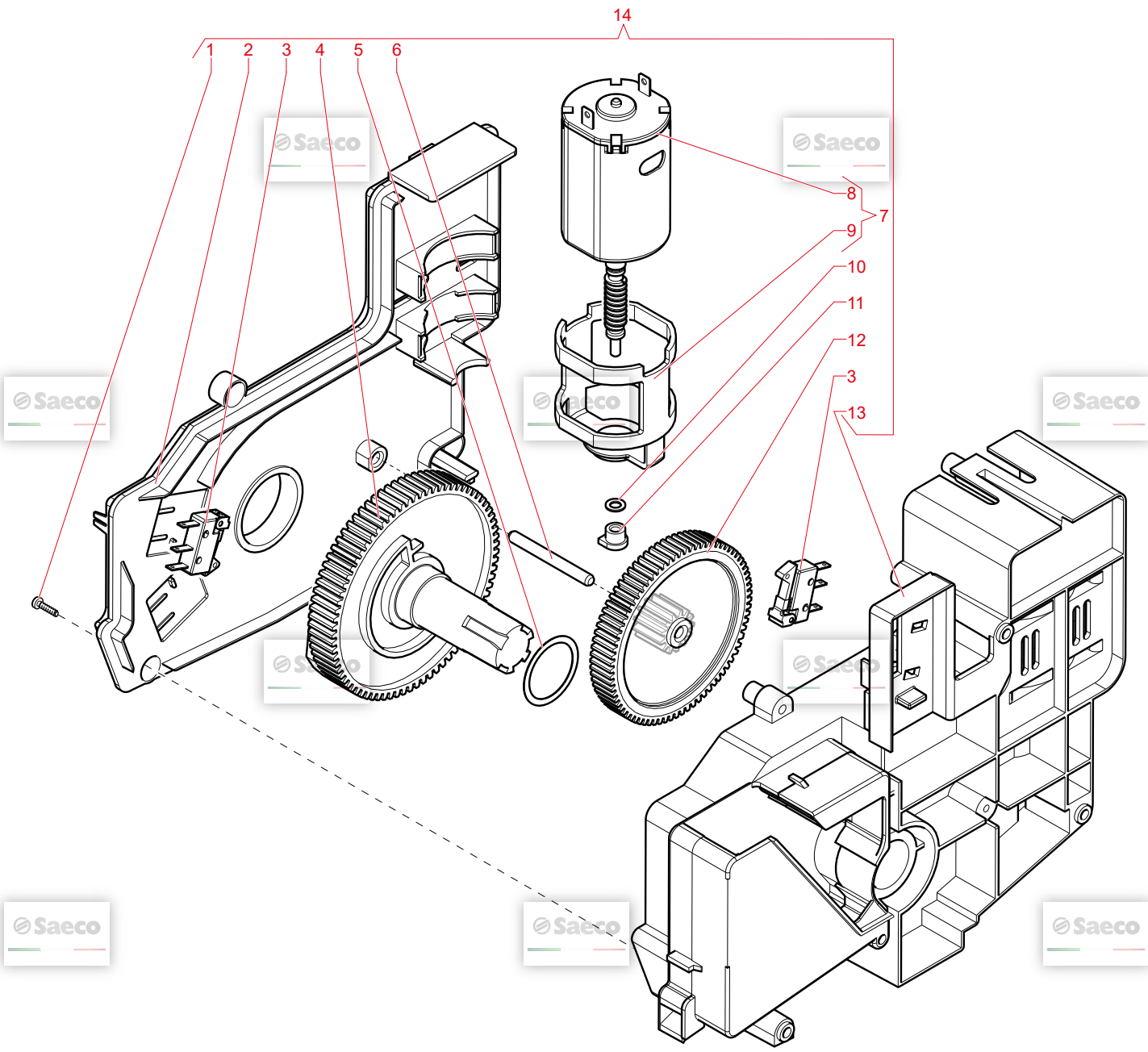


N.POSI	COD	I - DESCRIZIONE	UK - DESCRIPTION	F - DESCRIPTION	D - BEZEICHNUNG	E - DESCRIPCION	NOTE
1	11036717	LOGO ADESIVO SAE RYLE	STICKER LOGO SAE RYLE	STICKER LOGO SAE RYLE	STICKER LOGO SAE RYLE	LOGO ADESIVO SAE RYLE	230V
2	12001902	SERRATURA MERONI 337	LOCK MERONI 337	SERRURE MERONI 337	Türschloß Meroni 337	SERRATURA MERONI 337	230V
3	11036751	COP.CONTENTATORI RYLE D/AS	CONTAINERS TOP COVER RYLE TO A	CONTAINERS TOP COVER RYLE TO A	CONTAINERS TOP COVER RYLE TO A	COP.CONTENTATORI RYLE D/AS	
4	17001987	STAFFA SERRATURA COP.CONT.RYLO	STEEL CONTAINERS LID LOCK BRACKE	PLAQUE DE SERRURE POUR COUVERCLE	STEEL CONTAINERS LID LOCK BRACKE	STEEL CONTAINERS LID LOCK BRACKE	
5	11036745	AS.COP.CONT.C/SERRATURA RYLE	CONT.COVER W/LOCK RYLE ASSY	CONT.COVER W/LOCK RYLE ASSY	CONT.COVER W/LOCK RYLE ASSY	AS.COP.CONT.C/SERRATURA RYLE	
6	11025848	COP.CONT.ACQ.RYLO NER.	BLACK WATER CONTAINER LID RYLO	COUVERCLE BAC EAU NOIR	BLACK WATER CONTAINER LID RYLO	BLACK WATER CONTAINER LID RYLO	
7	140328461	OR ORM 0190-10 EPDM	OR ORM 0190-10 EPDM	JOINT OR 0190-10 EPDM	O RING 0190-10 EPDM	OR ORM 0190-10 EPDM	
8	140324362	OR ORM 0060-30 SILICONE	OR ORM 0060-30 SILICONE	JOINT DE BAC 0060-30	O-Ring 0060-30 Silicon schwarz	OR ORM 0060-30 SILICONE	
9	126764718	MOLLA CILINDR.VALV.CONT.ACQ.IN	SS WATER CONTAINER VALVE SPRING	RESSORT DE VALVE	Druckfeder zu Wasser tankventil	MOLLA CILINDR.VALV.CONT.ACQ.INOX	
10	147660562	PIST.VALV.CONT.ACQ.GRI.	GREY PISTON FOR WATER CONTAINER	PISTON X VALVE BAC EAU	Ventil Wasserbehälter MA. RO. VI	PIST.VALV.CONT.ACQ.GRI.	
11	17001255	TAPPO MANIGLIA CONT.ACQ.RYL.NE	BLACK PLUG FOR WATER CONTAIN.HAN	BOUCHON POIGNEE BAC EAU	BLACK PLUG FOR WATER CONTAIN.HAN	TAPPO MANIGLIA CONT.ACQ.RYL.NER.	
12	11025847	MANIGLIA CONT.ACQ.RYLO NER.	BLACK HANDLE WATER CONTAINER LID	POIGNEE BAC EAU NOIR	BLACK HANDLE WATER CONTAINER LID	MANIGLIA CONT.ACQ.RYLO NER.	
13	11029967	CONT.ACQ.RYLO GRI/TRASP.SER.	TRANSP/GREY WATER CONTAINER S/SC	TRANSP/GREY WATER CONTAINER S/SC	TRANSP/GREY WATER CONTAINER RYLO	CONT.ACQ.RYLO GRI/TRASP.	
14	224640200	AS.FILTRO EST.CONT.ACQ.BIA.	WHITE WATER CONTAINER EXT.FILTER	ENS. FILTRE EXT.POUR BACS A EAU	SCHMUTZSIEB (MIT POS.25)	AS.FILTRO EST.CONT.ACQ.BIA.	
15	11025846	AS.CONT.ACQ.RYLO GRI/TRASP.	TRANSP/GREY WATER CONTAINER RYLO	BAC A EAU COMPLET	TRANSP/GREY WATER CONTAINER RYLO	AS.CONT.ACQ.RYLO GRI/TRASP.	
16	12001431	VITE TCB 3X12 PLAST.INOX	SCREW TCB TORX 10 3X12 PLAST.SS	VIS TCB 3X12 PLAST.INOX	Tox 10 3x12	VITE TCB 3X12 PLAST.INOX	
17	263175	GRIGLIA PROTEZ.CONT.CAF.EVO					
18	11025841	CONT.CAF.GRA.RYLO GRI/TRASP.	TRANSP/GREY BEAN CONTAINER RYLO	BAC CAFE GRAIN	TRANSP/GREY BEAN CONTAINER RYLO	CONT.CAF.GRA.RYLO GRI/TRASP.	
19	11025844	AS.COP.CONT.CAF.GRA.RYLO NER.	BLACK BEAN COFFEE CONTAIN.LID RY	COUVERCLE BAC CAFE NOIR	BLACK BEAN COFFEE CONTAIN.LID RY	AS.COP.CONT.CAF.GRA.RYLO NER.	
20	17000829	SUPP.SENS.CONT.CAF.GRA.RYLO NE	BLACK BEAN CONTAINER SENSOR SUPP	SUPPORT SENSEUR BAC CAFE RYLO NO	BLACK BEAN CONTAINER SENSOR SUPP	SUPP.SENS.CONT.CAF.GRA.RYLO NER.	
21	11036719	COP.CARC. BLK RYLE	TOP COVER BLK RYLE				
22	0701.031.150	COP.GUARN.GACO DIM 14 VALV.ACQ	GREY WATER VALVE GACO DIM 14 SEA	CACHE JOINT GRIS	Ventilkappe grau	COP.GUARN.GACO DIM 14 VALV.ACQ.G	230V
23	145842900	GUARN.GACO DIM14 VALV.CONT.ACQ	NBR WATER CONT.VALVE GACO DIM14	JOINT GACO	Lippendichtung GACO DIM 14	GUARN.GACO DIM14 VALV.CONT.ACQ.N	
24	12000895	VITE TSP 3X10 PLAST.INOX	SCREW TSP TORX 10 3X10 PLAST.SS	VIS TSP 3X10 PLAST.INOX	TORXSCHRAUBE 3X10	SCREW TSP TORX 10 3X10 PLAST.SS	
25	0701.014.150	CONT.GUARN.GACO DIM 14 VALV.AC	GREY WATER VALVE GACO DIM 14 SEA	SUPPORT JOINT	Ventilunterteil grau	CONT.GUARN.GACO DIM 14 VALV.ACQ.	
26	140320461	OR ORM 0080-20 TERMOIL	OR ORM 0080-20 TERMOIL	JOINT DE PIPELITE 0080-20	O-Ring 0080-20 Wassereihlaufstut	OR ORM 0080-20 TERMOIL	
27	12000450	VITE TCBR 3.5X12 PLAST.ZN.N	SCREW TCBR TORX 10 3.5X12 PLAST.	VIS TCBR TORX 10 3.5X12 PLAST.ZN	TORXSSCHRAUBE 3.5X12	VITE TCBR 3.5X12 PLAST.ZN.N	
28	17001444	SUPP.SENS.CAPACITIVO LEVEL.ACQ	BLACK WATER LEVEL SENSOR SUPPORT	SUPPORT DE CAPTEUR DE NIVEAU D'E	BLACK WATER LEVEL SENSOR SUPPORT	SUPP.SENS.CAPACITIVO LEVEL.ACQ.R	
29	421941306721	AS.CPU-SW SENS.ACC. V3	CPU+SW WATER LEVEL SENSOR V3 ASS	PLATINE SENSEUR NIVEAU D'EAU	CPU+SW WATER LEVEL SENSOR V3 ASS	CPU+SW WATER LEVEL SENSOR V3 ASS	
30	11036744	AS.COP.CARC. RYLE	TOP COVER RYLE ASSY	TOP COVER RYLE ASSY	TOP COVER RYLE ASSY	AS.COP.CARC. RYLE	
31	11004160	MAGNETE D=6 H=4 COP.CONT.CAF.G	D=6 H=4 MAGNET P0049	MAGNETE D=6 H=4 COP.CONT.CAF.GRA	Magnet D=6 H=4 P0049	MAGNETE D=6 H=4 COP.CONT.CAF.GRA	
32	263377	COP.CONTENTATORI VNER RYLE					
33	263217	AS.COP.CARC. RYLE 5VA					120V - NA
34	263376	AS.COP.CONT.VNER C/SERR.RYLE					120V - NA
35	263178	COP.CARC.VER/BLK RYLE 5VA					120V - NA



N.POSI	COD	I - DESCRIZIONE	UK - DESCRIPTION	F - DESCRIPTION	D - BEZEICHNUNG	E - DESCRIPCION	NOTE
1	129913902	VITE TCB 3X12 PLASTZN-B	SCREW TCB TORX 10 3X12 PLASTZN-	VIS TCB 3X12 PLASTZN-B	Torx-Schraube 3x12 ZN-B	VITE TCB 3X12 PLASTZN-B	
2	9161.076.150	PERNO SPORT.DOS.CAF.MAC.GRI.	GREY GROUND COF.DOSER DOOR PIN	AXE PORTIERE DE DOSEUR	Feder Dosierklappe MA, VI	ASTA RASATORE DOS.CAF.MAC.ACC.	120V - NA
3	9161.048	AS.GEN.PIAS.MC.RY.LEVO 120V	STEEL GROUND COF.DOSER SCRAPER R	AIGUILLE D'ARASAGE			
4	263218	NUCLEO ELETTROM.DOS.CAF.MAC.AC	STEEL GROUND COF.DOSER ELECTROMA	CONTACT DE BOBINE DOSEUR	Eisenkern 9x40 DosierMagnService	NUCLEO ELETTROM.DOS.CAF.MAC.ACC.	
5	9161.041	ANELLO ELASTICO 7 UNI 7434	SNAP RING 7 UNI 7434	RONDELLE 7 UNI 7434	Sicherungsring ø7 elastisch	ANELLO ELASTICO 7 UNI 7434	
6	U701.003	MOLLA X ELETTROM.DOS.CAF.GRANI	SPRING ELECTROM.BEAN DOSER MAGIC	RESSORT D'ELECTRO AIMANT DOS.CAF	Feder zu Elektromagnet	MOLLA X ELETTROM.DOS.CAF.GRANI MA	
7	126764818	AS.BOBINA DOSATORE SUPERAUTOM.	DOSEUR COIL FOR SUPERAUTOM.24V DC	ENS.BOBINES DOSEUR 24VDC	DOSEUR COIL FOR SUPERAUTOM.24V DC	AS.BOBINA DOSATORE SUPERAUTOM.24	
8	11025734	MICROINTERRUTTORE	MICROSWITCH	MICRO CONTACT DE MOUTURE	Mikroschalter Dosierer MA, RO	MICROINTERRUTTORE	
9	NE05.017	AS.CONN.4P.BOBINA+MICRO DOSAT.	4P.CONN.COIL+DOSEUR MICRO V2 RYL	CONNECTION 4 POLES MICRO DOSEUR	4P.CONN.COIL+DOSEUR MICRO V2 RYL	4P.CONN.COIL+DOSEUR MICRO V2 RYL	
10	421946000541	CURSORE SUP.MICRO DOSAT.	GREY MICRO SUPP.CURSOR GROUND CO	SUPPORT MICRO CONTACT	Halterung Dosiermikro MA	CURSORE SUP.MICRO DOS.CAF.MAC.G	
11	9161.072.150	BILANCERE CONTROL.DOSE.CAF.MAC	COFFEEGRINDER SEAL	PLAQUE CONTR.DOSE CAFE	Schaltplättchen grau	BILANCERE CONTROL.DOSE.CAF.MAC.G	
12	1505.014	GUARNIZIONE DOSATORE	RUBBER COUPLER	GARNITURE DOSEUR	Dichtung Mühle	GUARNIZIONE DOSATORE	
13	9161.082	AGGANCIO IN GOMMA	BLACK HOPPER FOR POWDER COFFEE R	FIXATION CAOUTCHOUC	Gummikupplung	AGGANCIO IN GOMMA	
14	20001776	TRAMOGGIA DOSE CAF.MAC.RYL.NER	BLACK HOPPER FOR POWDER COFFEE R	CONDUIT DOSE CAFE NOIR	BLACK HOPPER FOR POWDER COFFEE R	TRAMOGGIA DOSE CAF.MAC.RYL.NER.	
15	263202	AS.CON. 2POLI MACINACAFFE'EVO	SELF LOCK STRIP W=2,6 L=200	COLLIER AUTOSERRANT L=200MM	Kabelbinder, L=200mm	FASCIETTA AUTOBLOC.W=2,6 L=200 B	230V
16	17	144320200	AS.MACINACAFFE STD 230V	MOULIN CAFE COMPLET 230 V STD.	Mahlwerkmotor kopt. 230V MA-RO	AS.MACINACAFFE STD 230V	
17	9140.036.00A	AS.SPORT.DOS.CAF.MAC.GRI.	GREY GROUND COF.DOSER DOOR ASSY.		GREY GROUND COF.DOSER DOOR ASSY.		
18	9140.017	COP/INSORORIZAZIONE MC RYL	COFFEE GRINDER SOUNDPROOFING COV	COUVERCLE INSONORISE	Abdeckung/Schaltschutz Mahlwerk	COP/INSORORIZAZIONE MC RYL R.	
19	17000238	ANTIVIBRANTE X MACINACAFFE'	ANTIVIBRATION FOR COFFEEGRINDER	SILENT BLOC	Schwingungsdämpfer VI	ANTIVIBRANTE X MACINACAFFE'	
20	9991.103	LEVA REGOL. MACIN.ACC.	STEEL GRINDING ADJUSTMENT LEVER	LEVIER DE REGLAGE MEULE	Mahlgradeinstellhebel ROF	LEVA REGOL. MACIN.ACC.	
21	0333.008	VITE TCBR 3,5X12 PLASTZN-N	SCREW TCBR TORX 10 3,5X12 PLAST.	VIS TCBR TORX 10 3,5X12 PLASTZN	TORXSSCHRAUBE 3,5X12	VITE TCBR 3,5X12 PLASTZN-N	
22	12000450	AS.MACINACAF. STD RYL/LEVO 230V	BLACK UPPER GRINDER SUPPORT MAGI	SUPPORT MEULE SUPERIEUR	Mahlringaufnahme	SUPPORTO MACINA SUPERIORE MAGIC	230V
23	263214	SUPPORTO MACINA SUPERIORE MAGI	UPPER GRINDER	MEULE SUPERIEUR	Mahlring	MACINA SUPERIORE	
24	149186150	VITE TORX T10 TCB 3,5X40 SX ZNG	TORX SCREW T10 TCB 3,5X40 SX ZNG	VIS TORX T10 TCB 3,5X40 SX ZNG	Torx-Schraube T10 TCB 3,5x40 lin	VITE TORX T10 TCB 3,5X40 SX ZNG	
25	9141.039	PERNO INCREMENTO A VITE MC MAG	BLK INCREASE SCREW PIN COF.GRIND	VIS DE FINESSE	Mahlschnecke MA, RO, VI	PERNO INCREMENTO A VITE MC MAGIC	
26	1729931002	ROSETTA PIANA 10X16X0,2DIN 988	PLAIN WASHER 10X16X0,2DIN 988 GA	RONDELLE	Unterfestscheibe ø10x16x0,2 DIN	ROSETTA PIANA 10X16X0,2DIN 988 Z	
27	147470763	SFERA D=5,5MM ACCIAIO INOX AISI	STAIL STEEL AISI 304 SPHERE D=5,	SPHERE D 5,5	Kugel ø 5,5mm für Rutschkupplung	SFERA D=5,5MM ACCIAIO INOX AISI	
28	U201.002	MOLLA ACC X SFERA D=5,5 MOTORE	STEEL SPRING SPHERE D=5,5 MOTOR	RESSORT SPHERE D5,5	Feder Rutschkupplung MA, RO, VI	MOLLA ACC X SFERA D=5,5 MOTORE M	
29	126765517	ANELLO DI SICUREZZA	SAFETY RING	RESSORT DE SPHERE	Metalleinsatz zu Support Mahlwer	ANELLO DI SICUREZZA	
30	9141.042	SUPPORTO MACINA INFERIORE MAGI	BLACK LOWER GRINDER SUPPORT MAGI	SUPPORT DE MEULE INF.	Support zum Mahlwerk unten	SUPPORTO MACINA INFERIORE MAGIC	
31	1411.028	ANELLO IN FELTRO DE=40 DI=34 H	FELT RING 40X34X5	ANNEAU FEUTRE 40/DI=34 H=5	Filtring	ANELLO IN FELTRO DE=40 DI=34 H=5	
32	140360200	MOTORE COMPLETO 230V	SPARE MOTOR UNIT MC 230V	MOTEUR MOUTURE MAGIC NEW	Mahlwerkmotor mit Getriebe 230V	MOTORE COMPLETO 230V	
33	0301.R10.00A	GHIERA REGOLAZION MACINATURA M	RING NUT FOR GRINDING ADJUSTMENT	BAGUE DE REGLAGE	Verstellring	GHIERA REGOLAZION MACINATURA MAG	
34	146570950	SFERA D=3,2MM ACCIAIO INOX AISI	STAIL STEEL AISI 304 SPHERE D=3,	SPHERE INOX D=3mm	Kugel ø 3,2mm Einstellring Mahlg	SFERA D=3,2MM ACCIAIO INOX AISI	
35	128610421	MOLLA NEW X SFERA D=3,2 MOTORE	NEW SPRING SPHERE D=3,2 MOTOR MA	RESSORT DE SPHERE	Feder Einstellring ø 3,2 MA, RO, V	MOLLA NEW X SFERA D=3,2 MOTORE M	
36	126770117	SUPP.MOTORE MC NER.	BLACK COFFEE GRINDER MOTOR SUPPO	SUPPORT MOTEUR	Motormaterialung Royal	SUPP.MOTORE MC NER.	
37	140230400	AMMORTIZ. SUPPORTO MACINA CON	SHOCK ABS. CONICAL GRINDER SUPP.	AMORTISSEUR SUPPORT MEULE MAGIC	Mitnehmer Gummi	AMMORTIZ. X SUPPORTO MACINA CONIC	
38	421946000921	AS.CABL.BOBINA+MICRO DOSAT.V2	COIL WIRING+DOSEUR MICRO V2 RYL U				
39	142844550	COPERT X MACINA SUPER.MACINACA	UPPER GRINDER COVER COFFEE GRIND	CONICAL GRINDER	Mahlringabdeckung	COPERT X MACINA SUPER.MACINACAF.	
40	9141.040	MACINA CONICA	KIT ITAL MILL GRINDERS	MEULE CONIQUE	Mahlkegel	MACINA CONICA	
41	226477700	SUPPOR C/ANEL X MACINA CONICA	CONICAL GRIND. SUPP. + RING MAGI	KIT MEULE	Mahlkegel + Mahlring MA, RO, VI.	SUPPOR C/ANEL X MACINA CONICA MA	
42	149188750	IMPUGN.LEVA REGOL.MACIN.ROYAL	BLK GRINDING ADJUST LEVER HANDGR	POIGNEE PROTECTION VAPEUR	Griffteil Einstellhebel ROF	IMPUGN.LEVA REGOL.MACIN.ROYAL NE	
43	0333.009	VITE TCB TORX 20 M4X16 ZN-B	ZN-B TCB TORX 20 M4X16 ZN-B	VIS TCB TORX 20 M4X16 ZN-B	LINSEN BLECHSCHR. MTCB TORX 20 M	VITE TCB TORX 20 M4X16 ZN-B	
44	U043.004	COP.FORO DOSATORE RYL GRI.	GREY COVER FOR DOSER HOLE RYL	COUVERCLE GRIS DOSEUR	GREY COVER FOR DOSER HOLE RYL	COP.FORO DOSATORE RYL GRI.	
45	17001155	GOMMINO X MACINACAFFE'	RUBBER FOR COFFEE GRINDER	SILENT BLOC CAFE MOULU	Gummihalierung Mahlwerkmotor MA	GOMMINO X MACINACAFFE'	
46	9991.005	DISTANZIALE X GOMMINO	SPACER FOR RUBBER	RONDELLE D'ECARTEMENT	Distanzhülse	DISTANZIALE X GOMMINO	
47	9141.003	DADO M4 FLANGIATO BASE DENTELL	UT M4 FLANGED INDENTED BASE	ECROU	Sechskantmutter M4 DIN 934	DADO M4 FLANGIATO BASE DENTELLAT	
48	U324.006	PIAST.FISSAG.LEVA DOS.CAF.MAC.	GREY GROUND COF.DOSER LEVER FIXI	PLAQUE DE FIXATION	Montageplättchen MA	PIAST.FISSAG.LEVA DOS.CAF.MAC.GR	
49	9161.097.150	MICROINTERRUTTORE	MICROSWITCH	MICRO INTERRUPTEUR	Microschaltchen	MICROINTERRUTTORE	
50	12001605	AS.CONN.ZP.MICRO SPORT.V2 RYL	2P.CONN.DOOR MICRO V2 RYL UL ASS	PLAQUE SUPPORT MOULIN	Montageplatte Mühle grau Royal	PIAST.MC MAGIC/ROYAL GRI.	
51	421946000501	PIAST.MC MAGIC/ROYAL GRI.	DOSE ADJUSTMENT LEVER DE LUXE GR	LEVIER DE REGLAGE CAFE	Hebel Dosiermenge MA	LEVA X REGOLAZIONE DOSE DE LUXE	
52	9161.365.150	LEVA X REGOLAZIONE DOSE DE LUX	PLAIN WASHER 3,2X9 DIN 7349 GALV	RONDELLE	Scheibe 3,2 DIN 7349 verz.	ROSETTA PIANA 3,2X9 DIN 7349 ZNP	
53	9161.077.150	ROSETTA PIANA 3,2X9 DIN 7349 Z	GRY COFF.GRINDING/DOSE ADJUST.SC	GRADUATION REGLAGE DOSE CAFE	GRY COFF.GRINDING/DOSE ADJUST.SC	ROSETTA PIANA 3,2X9 DIN 7349 ZNP	
54	U201.001	SCALA REGOL.DOSE E MACIN.CAF.R				SCALA REGOL.DOSE E MACIN.CAF.RYL	
55	17000852	AS.GEN.PIAS.MC.RY.LEVO 230V	ASS MOTOR STD 120V	NON UTILISEE PAR LA FRANCE ET BE	ASS MOTOR STD 120V	AS.MACINACAFFE STD 120V	230V
56	263215	AS.MACINACAFFE STD RYL/E 120V	SPARE MOTOR UNIT MC 120V	NON UTILISE POUR LA FRANCE ET LE	SPARE MOTOR UNIT MC 120V	GRUPPO RICAMBIO MOTORE MC 120V	120V - NA
57	9140.036.00F	GRUPPO RICAMBIO MOTORE MC 120V	MICRO.DOSER RYL UL NVG ASSY			GRUPPO RICAMBIO MOTORE MC 120V	120V - NA
58	0301.R10.00F	AS.MICRO SPORT RYL UL NVG				AS.MICRO SPORT RYL UL NVG	120V - NA
59	110000223	COP/INSORON. MC RYL NERO USA				COP/INSORON. MC RYL NERO USA	120V - NA
60	263180						





N.POSI COD	I - DESCRIZIONE	UK - DESCRIPTION	F - DESCRIPTION	D - BEZEICHNUNG	E - DESCRIPCION
1	129670202	TCB PANELVIT SCREW 3.5X16 TESTA	VIS TCB 3.5X16 TESTA D=8 ZNP	Blechschraube ST 3.5X16-Z1-C ver	VITE PANELVIT TCB 3.5X16 TESTA D
2	17000719	GREY RATIO MOTOR LID RYL	MILARD POUR MOTOREDUCTEUR	Deckel Getriebegehäuse grau	COP.MOTORID.RYL GRI.
3	NE05.038	MICRO SWITCH 30V 0.3A	MICRO INTERRUPTEUR	MIKROSCHALTER	MICROINTERRUTTORE 30V 0.3A
4	11007137	BLACK GEAR Z=77 V/2 FOR RATIO MOTOR	ENGRENAGE Z=77 MOTORID.V2 P124 N	Zahnrad Z=77 V2 P124 schwarz	INGR.Z=77 MOTORID.V2 P124 NER.
5	9161.368	MYLAR WASHER FOR RATIO MOTOR	RONDELLE MOTOREDUCTEUR	UNTERLEGSCHLEIBER GETRIEBEMOTOR	RONDELLA MYLAR X MOTORIDUTTORE
6	9121.039	STEEL PIN FOR RATIO MOTOR GEAR MA	STEEL PIN FOR RATIO MOTOR GEAR MA	STEEL PIN FOR RATIO MOTOR GEAR MA	PERNO INGR.MOTORID.MAGIC ACC.
7	11005214	MOTOR FOR RATIO MOTOR ASSY	MOTEUR AVEC CONDENSATEUR	MOTOR GETRIEBE	AS.MOTORE MOTORIDUTTORE
8	11003037	MOTOR FOR RATIO MOTOR ASSY	MOTEUR REDUCTEUR + CONDENSATEUR	GServiceitemotor.V2 Talea, Ode	AS.MOTORE MOTORID.C/COND.
9	9121.044	ANTIVIBRATION FOR MOTOR	AMORTISSEUR MOTEUR	VIBRATIONSDAEMPFER	ANTIVIBRANTE X MOTORE
10	148380200	BAKELIZATE WASHER D=5.5	RONDELLE D=5.5	DISTANZSCHEIBE BAKELIT	RONDELLA D=5.5 IN TELA BAKELIZZA
11	9121.046	BRONZE SINTERED BUSH FOR MOTOR R	JOINT DE MOTEUR	SINTERBUCHSE	BOCC.SINTERIZ.MOTORE MOTORID.BRO
12	146002800	GREY GEAR Z=13/90 FOR RATIO MOTOR	ENGRENAGE Z=13/90 MOTOREDUCTEUR	Zahnrad Z=13/90 grau P124	INGR.Z=13/90 MOTORID.P124 GRI.
13	11026258	GREY RATIO MOTOR CASING WITH TUBE	CARCASSE MOTOREDUCTEUR AVEC CANA	GEHÄUSE GETRIEBE GRAU	AS.CARC.MOTORID.C/CANALINO RYL G
14	263213	AS.MOTORID.RYL EVOIF			



Aulika EVO Top HSC/RI

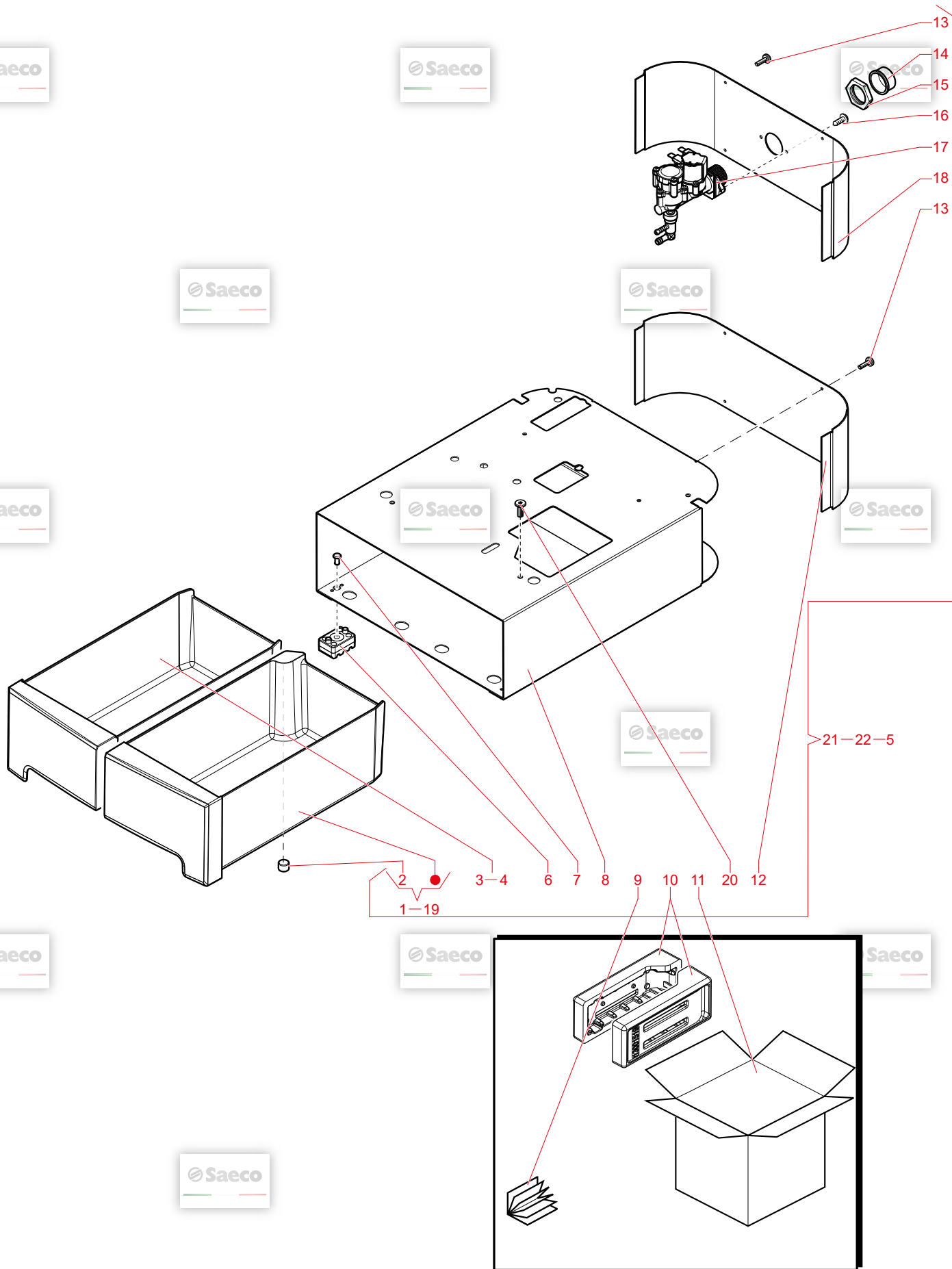
14/01/2020

12

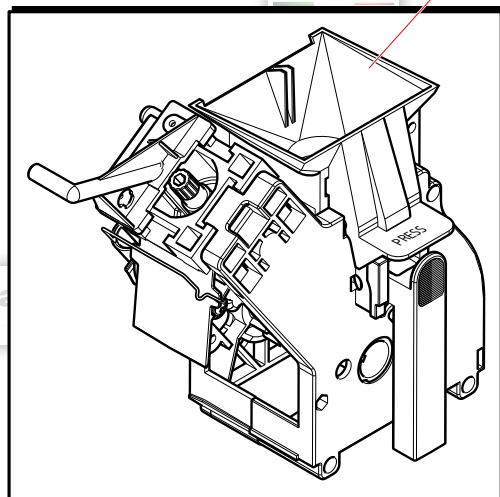
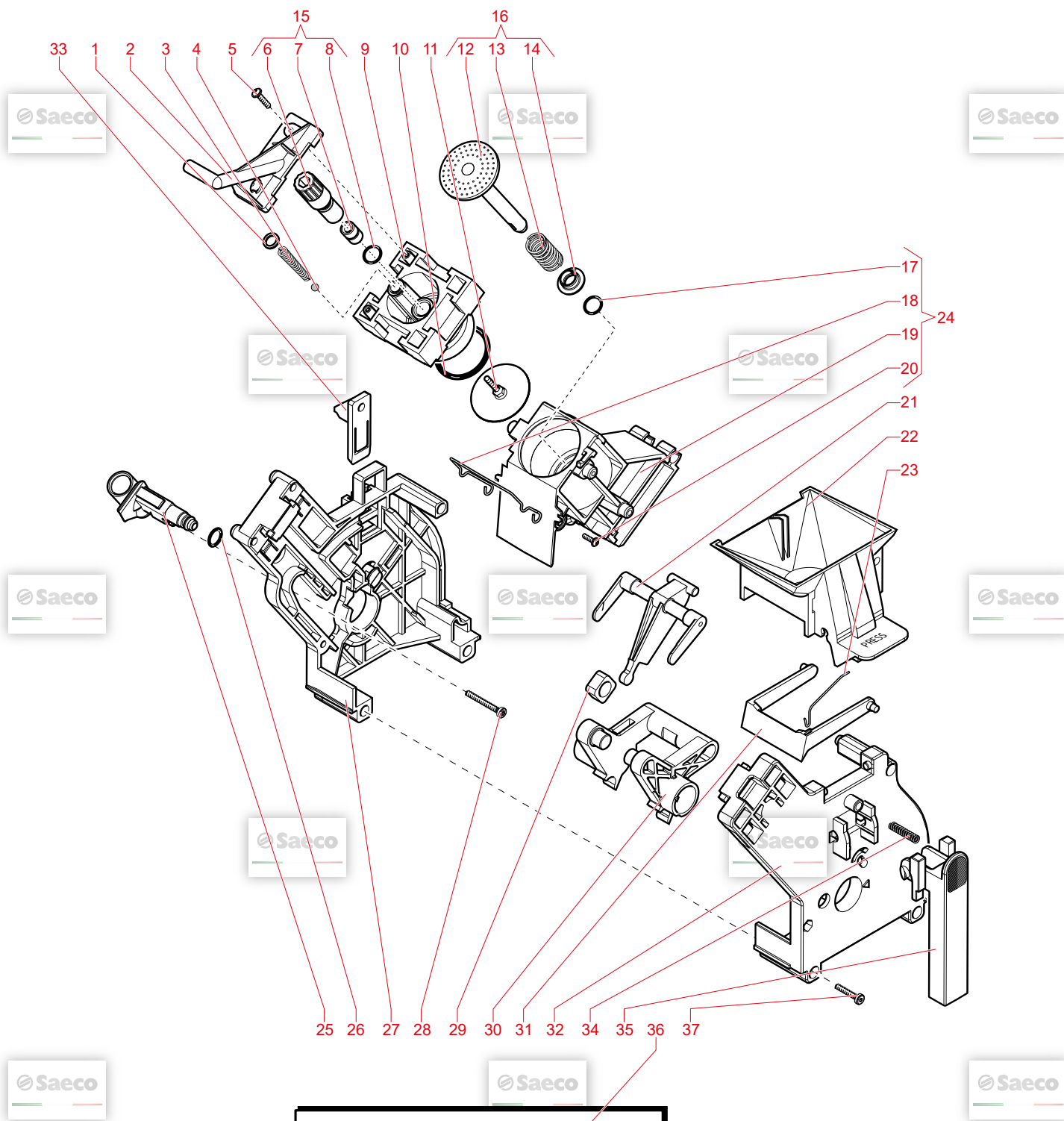
C0103X00

GAGGIO MONTANO

© by Saeco, a company of Evoca Group



N.POSI COD	I - DESCRIZIONE	UK - DESCRIPTION	F - DESCRIPTION	D - BEZEICHNUNG	E - DESCRIPCION
1	AS.CAS.FONDI BASE RYLO NER.D/V	UNPAINT.BASE DUMP BOX RYLO ASSY.	FLOTTEUR MAGNETIQUE	MAGNET	MAGNETE X GALLEGGIANTE SUPERAUT.
2	MAGNETE X GALLEGGIANTE SUPERAU	MAGNET FOR FLOAT SUPERAUT.			
3	CAS RIPOSTIGLIO BASE RYLO NER.	UNPAINT.BASE REPOSITORY DRAWER R			
4	CAS RIPOSTIGLIO BASE RYL V/NER				
5	ASSIEME BASE RYLO RI EVO TOP				
6	PIEDINO RIGIDO MYB9 NER/TRASP.	BLACK/TRANSP.RIGID FOOT MYB9	PIED RIGIDE	Gehäusefuß	PIEDINO RIGIDO MYB9 NER/TRASP.
7	PERNO FISSAG.PIEDINO RIGIDO MY	BLACK RIGID FOOT FIXING PIN MYB9	PIVOT DE FIXATION PIED	Fixierungsnase Gehäusefuß	PERNO FISSAG.PIEDINO RIGIDO MYB9
8	AS.CARC.BASE V2 RYLO ACC.VERN.	BLK STEEL BASE CASING V2 RYLO AS	AS.CARC.BASE V2 RYLO ACC.VERN NE	AS.CARC.BASE V2 RYLO ACC.VERN NE	AS.CARC.BASE V2 RYLO ACC.VERN NE
9	LIB.IST.SAE SUP040R RYLO RI 17	MANUAL SAE SUP040R RYLO RI 17LAN	MANUEL INSTALLATION SUP040R RI	MANUAL SAE SUP040R RYLO RI 17LAN	LIB.IST.SAE SUP040R RYLO RI 17L.
10	INS.SCATOLA BASE RYLO PS-E	PS-E INSERT FOR BOX BASE RYLO	INSERT DE PROTECTION	STYROPOREINSATZ	INS.SCATOLA BASE RYLO PS-E
11	SCAT.BASE V2 RYLO AVANA	HAVANA BOX V2 BASE RYLO	CARTON D'EMBALLAGE	HAVANA BOX V2 BASE RYLO	HAVANA BOX V2 BASE RYLO
12	PANNEL.POST.BASE RYLO NER.	BLK BASE REAR PANEL RYLO	BLK BASE REAR PANEL RYLO	BLK BASE REAR PANEL RYLO	BLK BASE REAR PANEL RYLO
13	VITE AUT.TCB.3.9X9.5 DIN.7981 C	screw AUT.TCB.3.9X9.5 DIN.7981 C	VIS TCB3.9X9.5DIN7981C/NIK	Blechschraube.3.9x9.5	VITE AUT.TCB.3.9X9.5 DIN.7981 C
14	"TAPPO 3/4 ""KAPSTO 800R 3/4"	"CAP 3/4 ""KAPSTO 800R 3/4""	BOUCHON 3/4.KAPSTO 800R 3/4	ABDECKUNG 3/4z	"TAPPO 3/4 ""KAPSTO 800R 3/4"";TAPP"
15	"NYLON RING NUT G3/4"" 6 MM."	"GHIERA IN NYLON G3/4"" 6 MM."	EMBOUT EN NYLON G3/4"" 6MM.	"UeBERWURF G3/4"" 6 MM."	"GHIERA IN NYLON G3/4"" 6 MM."
16	VITE TCBR 4X10 PLAST.ZN-N	SCREW TCBR TORX 20 4X10 PLASTZN	VIS TOBR TORX 20 4X10 PLAST.ZN-N	SCHRAUBE 4X10	VITE TCBR 4X10 PLAST.ZN-N
17	AS.ATTACCO RI RYLO RI	CONNECT.WATER SUPPLY RYLO RI ASS	ELECTROVANNE ENTREE D'EAU	EINLASSVENTIL	AS.ATTACCO RI RYLO RI
18	PANNEL.POST.BASE RYLO RI ACC.V	BLACK BASE REAR PANEL RYLO RI	PANNEAU ARRIERE BASE INFERIEURE/	RÜCKWAND UNTERBAU FW	PANNEL.POST.BASE RYLO RI ACC.VER
19	AS.CAS.FONDI BASE RYL V/NER				
20	VITE TORX M 4X10 TESTA D=8X1.5	SCREW TORX M4X10 TESTA D=8X1.5 G	VIS TORX M 4X10 TESTA D=8X1.5 ZI	TORXSCHRAUBE M4X10	VITE TORX M 4X10 TESTA D=8X1.5 Z
21	AS.BASE RYLO/O NER-NER V2	BLK-BLK BASE RYLO/O ASSY.V2	BLK-BLK BASE RYLO/O ASSY.V2	BLK-BLK BASE RYLO/O ASSY.V2	AS.BASE RYLO/O NER-NER V2
22	ASS.BASE V/NER/L RYL RI EVO				



N.POSI COD	I - DESCRIZIONE	UK - DESCRIPTION	F - DESCRIPTION	D - BEZEICHNUNG	E - DESCRIPCION
1	11021334	BLK COUNTERPISTON SEAL DE=11 DI=	GARNITURE CONTRE PISTON	Dichtung DE=11 DI=8 SP=1,4 zu Ko	GUARN.DE=11 DI=8 SP=1,4 X CONTRO
2	11003789	BLACK COFF OUTLET SLEEVE BREW UN	RACCORD SORTIE CAFE ROYAL	Kaffeauslaßrohr Brühgruppe ROD	MANICOT.USCITA CAF.GRUP.ROYAL NE
3	9161.222	SS CONICAL SPRING	RESSORT CONIQUE	FEDER ZU CREMAVENTIL	MOLLA CONICA INOX
4	42194034451	BOROSILICATE SPHERE D.5 MM	SPHERE D.5 MM	BOROSILICATE SPHERE D.5 MM	BOROSILICATE SPHERE D.5 MM
5	12002170	SCREW TCB TORX 10 3X16 PLAST SS	SCREW TCB TORX 10 3X16 PLAST SS	SCREW TCB TORX 10 3X16 PLAST SS	VITE TCB 3X16 TORX 10 PLAST.INOX
6	147472850	PIN BLACK FOR PERCOLATOR			
7	NF11.067	BRASS INSERT FOR PERCOLATOR LOCK			
8	140324461	OR ORM 0060-20 TERMOIL	JOINT ORM 0060-20	O- RING 0060-20	OR ORM 0060-20 TERMOIL
9	11003796	BLACK BREW UNIT COUNTERPISTON M5	CONTREPISTON GROUPE CAFE	Anpresskolben Brühgruppe schwarz	CONTROPIST.GRUP.M5000 NER.
10	NM01.044	OR ORM 0320-40 SILICONE PTFE/FDA	JOINT OR 0320-40 SILICONE	O-RING ORM 0320-40	OR ORM 0320-40 SILICONE PTFE/FDA
11	9161.075	PERCOLATOR DE=35.8 ELFO ASSY.	GRILLE D 35.8	Sieb (geätzt) kpl. mit Stift	AS.DOC.CIA DE=35.8 ELFO C/VITE E
12	11003077	BLK BREW UNIT INTEGRAL PISTON 8G	PISTON GROUPE CAFE P124 8GR	BRÜHKOLBEN UNTEN	AS.PIST.INTEGR.GRUP.8GR.NER.
13	9161.198	SS 8GR BREW UNIT PISTON SPRING	RESSORT DU PISTON	FEDER ZU KOLBEN	MOLLA PIST.GRUP.8GR.INOX
14	9161.191	WHITE 8GR-12GR BREW UNIT PISTON	RONDELLE DE BLOCAGE DU PISTON	ARRETIERHÜLSE	BOC.PIST.GRUP.8GR.-12GR.BIA.
15	227470150	PIN BLACK ASS FOR PERCOLATOR	AXE DE GRILLE	Siebhalterung schwarz Brühgruppe	AS.PERNO X.DOC.CIA COMPLETEO NER
16	11036010	BRW 8GR BREW UNIT NTEGR.PISTON G	PISTON GROUPE CAFE 8GR	BRW 8GR BREW UNIT NTEGR.PISTON G	AS.GEN.PISTONE INTEGR.GRUP.CAF 8
17	NM02.018	OR ORM 0090-25 TERMOIL	JOINT ORM 0090-25 EPDM	O-Ring ORM 0090-25 EPDM	OR ORM 0090-25 TERMOIL
18	11001556	BLK COF-CONTAIN.BREW UNIT V2 M50	CHAMBRE GROUPE CAFE NOIR V2 M500	EINRASFEDER H=49 BG	MOLLA RASAT.H=49 GRUP.CAF.SMART
19	421944014611	VITE TCBR 3.5X14 PLAST.INOX	VIS TCBR TORX 10 3.5X14 PLAST.SS	SCHRAUBE 3.4X14	BLK COF.CONTAIN.BREW UNIT V2 M50
20	129912521	BIELLE NOIRE	BIELLE NOIRE	PLEUEL	BIELLA GRUP.8GR.NER.
21	11003078	TRAMOG.GRUP.M5000 NER.SER.PRESS	ENTONNOIR GROUPE CAFE M5000	Trichter Brühgruppe schwarz MA	TRAMOG.GRUP.M5000 NER.SER.PRESS
22	11003795	MOLLA RASAT.H=49 GRUP CAF SMAR	RESSORT D'ARRASAGE	DRUCKFEDER	MOLLA RASAT.H=49 GRUP.CAF.SMART
23	9161.046	AS.CONT.CAF.GRUP.8G.P124 NER.	PIPETTE ENTREE D'EAU	BOHNENBEHALTER KPLT.SCHWARZ 8 GR	AS.CONT.CAF.GRUP.8G.P124 NER.
24	11004570	MANICOT.ENTRATA ACQ.GRUP.ROYAL	JOINT 2025 TERMOIL	WASSEREINLAUFSTUTZEN BG	MANICOT.ENTRATA ACQ.GRUP.ROYAL N
25	9161.064.050	OR 2025 TERMOIL	JOINT 2025 TERMOIL	O-RING 2025 EPDM	OR 2025 TERMOIL
26	NM02.007	PIAS.POS.V2 GRUP.M5000 NER.	VIS TCB TORX 10 3x25 Plast.Ss	TORXSCHRAUBE 3X25	BLACK BREW UNIT REAR PLATE V2 M5
27	421941158532	VITE TCB 3X25 PLAST.INOX	VIS TCB TORX 10 3x25 Plast.Ss	TORXSCHRAUBE 3X25	BLACK BREW UNIT REAR PLATE V2 M5
28	12000550	BLOC.FORATO GRUP.PANNER.	ENTRETOISE NOIRE	Gleitsstück Brühgruppe schwarz	BLOC.FORATO GRUP.PANNER.
29	9161.094.050	ALBERO A GOMITO GRUP.M5000 NER	ARBRE DU GROUPE	KURBELWELLE	ALBERO A GOMITO GRUP.M5000 NER.
30	9161.066.050	RASATORE GRUP.M5000 NER.	RACLEUR GROUPE	ABSSTREIFER	RASATORE GRUP.M5000 NER.
31	11004161	PIAS.ANT.GRUP.M5000 NER.	PLAQUE ANT. GROUPE M5000 NOIR	Seitenteil Brühgruppe rechts MA	PIAS.ANT.GRUP.M5000 NER.
32	11003793	PIAS.AGGANC.GRUP.NER.	PLAQUE FIXATION DU GROUPE	Verschluß Brühgruppe schwarz MA	PIAS.AGGANC.GRUP.NER.
33	11004114	MOLLA IMPUGNAT.GRUP.M5000	RESSORT POIGNEE DE GROUPE	Feder Brühgruppenentriegelung MA	MOLLA IMPUGNAT.GRUP.M5000
34	9161.075	IMPUGN.GRUP.M5000 NER.	POIGNEE DU GROUPE	Hebel Brühgruppenentriegelung sc	IMPUGN.GRUP.M5000 NER.
35	11003791	GRUPPO CAFE' NERO	GROUPE CAFE	BRÜHGRUPPE KPLT.	GRUPPO CAFE' NERO
36	11003800	VITE TCB TORX 3.5X20 PLAST.INO	VIS TCB TORX 10 3.5x20 Plast.Ss	TORXSCHRAUBE3.5X 20	SCREW TCB TORX 10 3.5X20 PLAST.S
37	12000897				



Aulika EVO Top HSC/RI

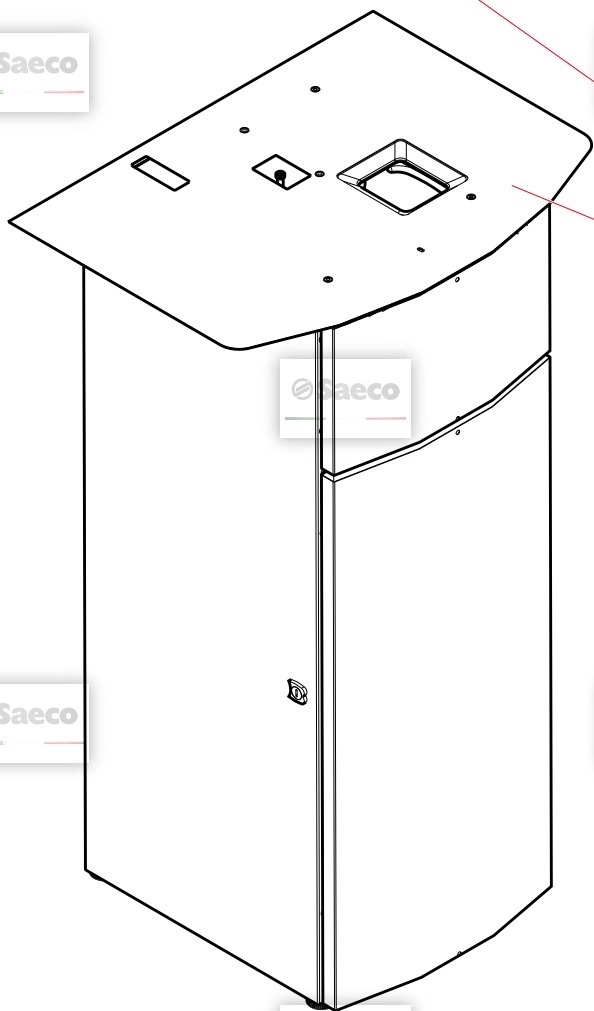
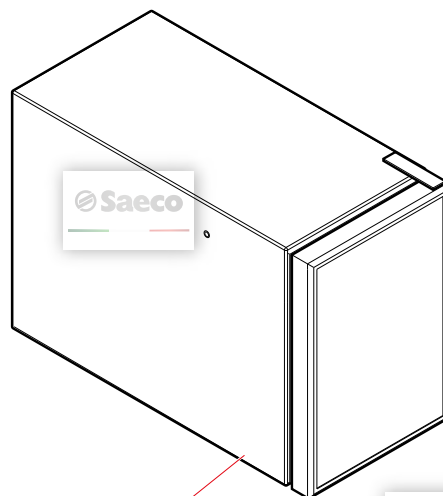
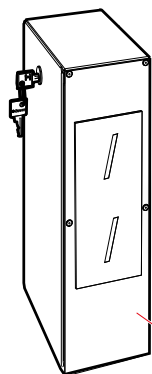
14/01/2020

14

C0103X00

GAGGIO MONTANO

© by Saeco, a company of Evoca Group -

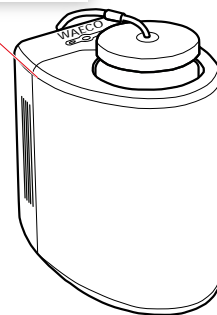


1

2

3

4



N.POSI COD	I - DESCRIZIONE	UK - DESCRIPTION	F - DESCRIPTION	D - BEZEICHNUNG	E - DESCRIPCION	NOTE
1	21002350 VE KIT BOX PAYM. SYS. AULIKA T ACC FRIDGE FR7L BR9D R600a	VE KIT BOX PAYM. SYS. AULIKA TOP FRIDGE FR7L BR9D R600a	VE KIT BOX PAYM. SYS. AULIKA TOP FRIDGE FR7L BR9D R600a	VE KIT BOX PAYM. SYS. AULIKA TOP FRIDGE FR7L BR9D R600a	VE KIT BOX PAYM. SYS. AULIKA TOP ACC FRIDGE FR7L BR9D R600a	Saeco
2	10005145 VE MOBILETTO AULIKA-ROYAL-AMBR	VE CABINET AULIKA-ROYAL-AMBRA BL	VE MEUBLE AULIKA-ROYAL-AMBRA BLK	Unterschrank AULIKA-ROYAL-AMBRA	VE MOBILETTO AULIKA-ROYAL-AMBRA	Saeco
3	10005004 ACC PR MANTENITORE 100/240V 50	ACC PR MANTENITORE 100/240V 50-6	MILK COOLER 100/240V 50-60HZ BLK	Milchkühler 1L Phedra 100/240V 5	ACC PR MILK KEEPER 100/240V 50-6	Saeco
4	21001820 ACC PR MANTENITORE 100/240V 50	ACC PR MANTENITORE 100/240V 50-6	MILK COOLER 100/240V 50-60HZ BLK	Milchkühler 1L Phedra 100/240V 5	ACC PR MILK KEEPER 100/240V 50-6	Saeco





Il Costruttore si riserva il diritto di modificare, senza preavviso, le caratteristiche delle apparecchiature presentate in questa pubblicazione; declina inoltre ogni responsabilità per le eventuali inesattezze imputabili ad errori di stampa e/o trascrizione contenute nella stessa.

Le istruzioni, i disegni, le tabelle e le informazioni in genere contenute nel presente fascicolo sono di natura riservata e non possono essere riprodotte ne completamente ne parzialmente od essere comunicate a terzi senza l'autorizzazione scritta del Costruttore che ne ha la proprietà esclusiva.

The manufacturer reserves the right to modify, without prior notice, the characteristics of the equipment described in this publication; and further declines to accept any responsibility for any inaccuracies contained in this publication which can be ascribed to printing and/or transcription errors.

All instructions, drawings, tables and information contained in this publication are confidential and can neither be reproduced, completely or in part, nor be transmitted to third parties without the written permit of the Manufacturer, who has the sole ownership.

Le fabricant se réserve le droit de modifier, sans préavis, les caractéristiques des appareils présentes dans cette publication; en outre, elle decline toute responsabilité pour d'éventuelles inexactitudes imputables à des erreurs d'impression et/ou de transcription.

Tous droits de reproduction, complète ou partielle, des instructions, des dessins, des tableaux et de toutes les informations contenues dans cette publication sont réservés. Aucune communication à un tiers ne peut être faite sans une autorisation par écrit du Constructeur qui en a la propriété exclusive.

Der Hersteller behält sich das Recht vor, die Eigenschaften der hier beschriebenen Geräte ohne Voranzeige zu ändern und lehnt gleichzeitig jede Verantwortung für mögliche Unrichtigkeiten ab, die auf Druckfehler oder Abschreibfehler zurückzuführen sind.

Alle Anweisungen, Zeichnungen, Tabellen und Informationen, die im allgemeinen im vorliegenden Band enthalten sind, müssen als vertraulich betrachtet werden und können weder teilweise noch vollständig reproduziert bzw an Dritte ohne die schriftliche Ermächtigung des Herstellers weitergegeben werden, der das Alleineigentum besitzt.

El Constructor se reserva el derecho de modificar, sin previo aviso, las características de los aparatos presentados en esta publicación; además declina toda responsabilidad por los eventuales inexactitudes imputables a errores de imprenta y/o transcripción contenidos en la misma.

Las introducciones, los dibujos, las tablas y las informaciones en general contenidos en este fascículo son de tipo reservado y no se pueden reproducir, completamente o en parte, ni comunicar a terceros si la autorización escrita del Fabricante, el cual tiene la propiedad exclusiva.

