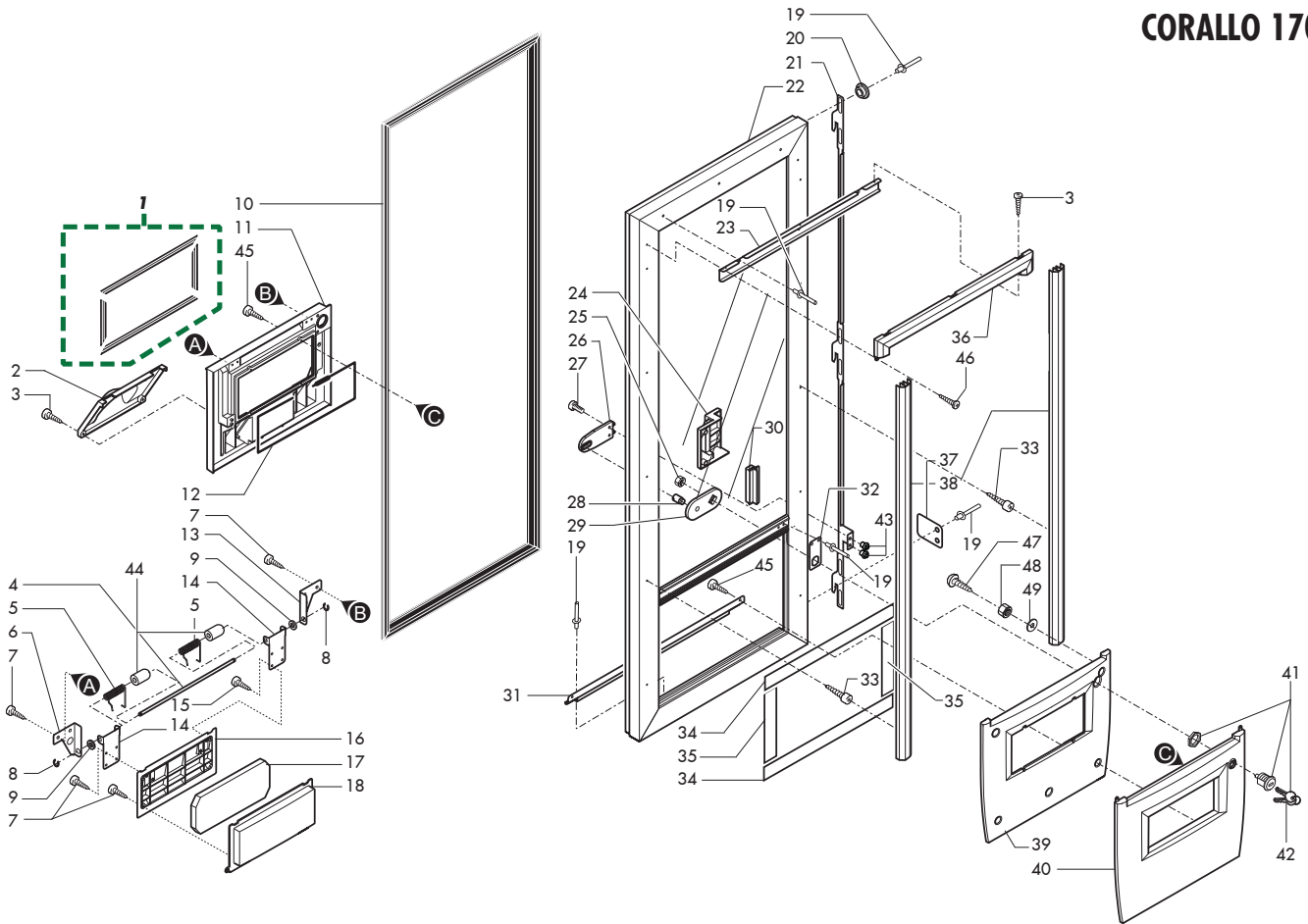
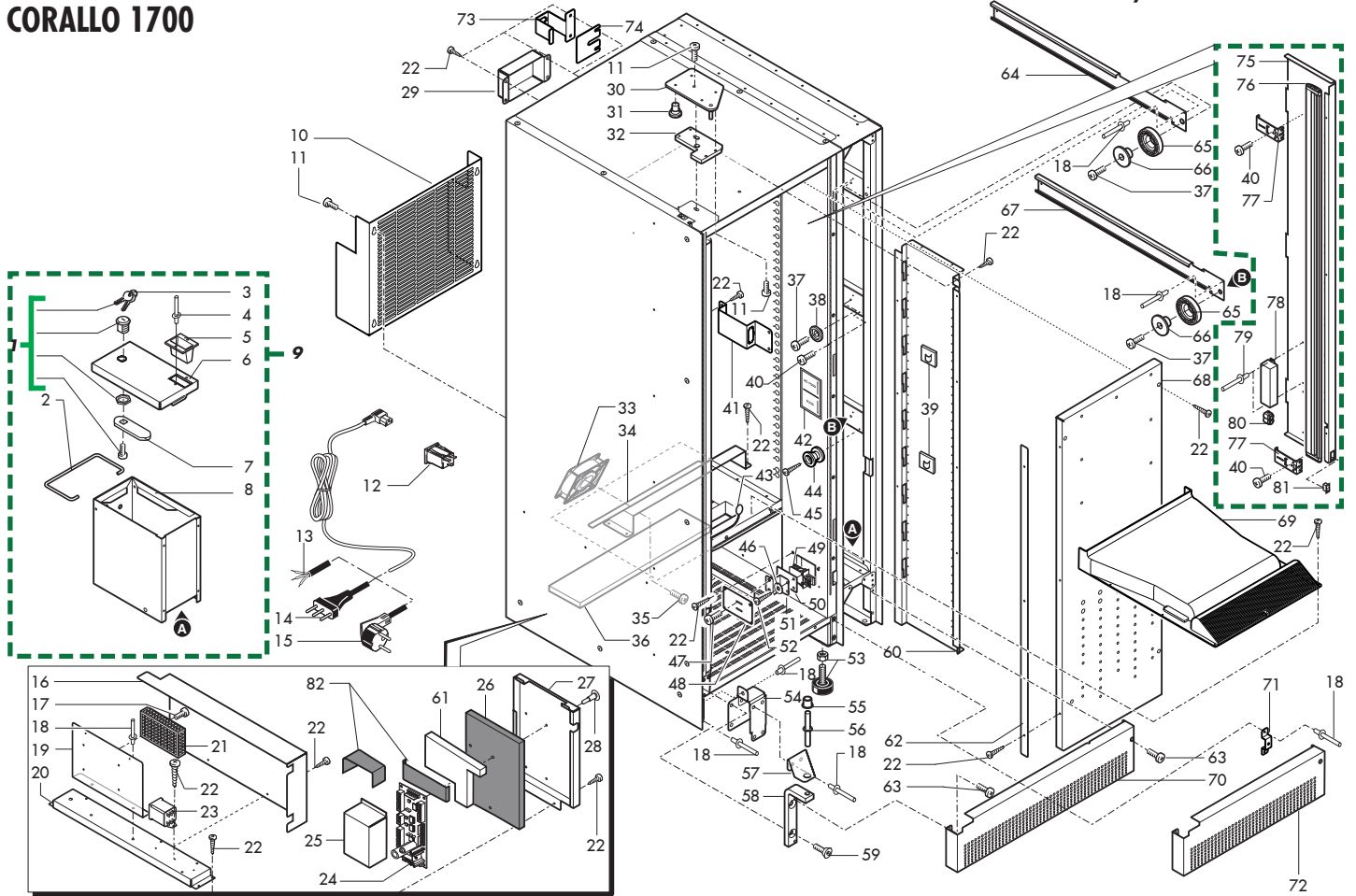


CORALLO 1700


Pos. Code	Description	Note
1	20006881	Space Parts Seal Push Aliseo
2	11012353	Cofortura X Motore Sport.Push New Snack
3	U109.003	Screw Tcb 3,5X9,5 Din 7981 C Nick
4	11011069	forno Cerniera Sport.Push New Snack 6S
5	0875.312	Spring X Products Collection Space
6	11010461	Lamiera Fissaggio Cerniera Traversino Sx
7	U109.016	Screw Aut.Tcb 3,9X13 Din 7981 C
8	U701.011	Steel Snap Ring 5 Uni 7434
9	11010976	Bush For Push Door New Snack
10	11023853	Magnetic Seal For Door Corallo H1700
11	11011064	Controporta New Snack 6S
12	11013683	Resistenza Zona Push New Snack
13	11010460	Fixing Sheet Metal Hinge Crosspiece Rx
14	11010439	Lamiera Cerniera Sport.Push New Snack
15	U110.003	Screw Aut.Tcb 3,5X9,5 Din 7981 F
16	11011066	Sportello Push Interno New Snack 6S
17	11011067	Isolante X Sportello Push New Snack 6S
18	11022333	External Push Door New Snack 6S Blk
19	12000962	Multigrip Rivets 4.8X11
20	11010977	Space Lock Lever New Snack
21	11023856	Rod For Lock Door Corallo H1700
22	11030253	Loom Door Corallo H1700
23	20006947	Space Parts Corallo Door H1700
24	11011071	Supp.External Upfor Panel New Snack 6S
25	11010720	Cofortura Serratura New Snak
26	U324.004	Nut M6 Flanged Indented Base
27	11010466	Asta Rimando Serratura New Snack
28	U127.005	Screw Tapt.Tcb M4,0X8 Din 7500C
29	11011236	Pin For Lock Plate New Snack
30	11010464	Piastrina X Serratura New Snack
31	11013540	Plug
32	11011061	Support Aesthetic Terminal Lower 6S
33	11010463	Support For Lock Door New Snack
34	U143.021	Screw Special 4,8X9,5 Self Tap.
35	11013656	Isolante Orizzontale Pannello Porta 6Sp
36	11013658	Isolante Verticale Pannello Porta 6Sp
37	11022346	Upfor Panel Aesthetic Door New Snack 6S
38	11022779	Plate For Micro Door New Snack Blk
39	11023854	Strip Aesthetic For Door Corallo H1700
40	11011063	Insulator For Lower Aesthetic Panel 6S
41	11022345	Lower Panel Aesthetic Door New Snack 6S
42	11012142	Lock Rielfrom s.n. Mod.512
43	NV02.243	Key Rielfrom s.n. Aj306A
44	NF11.061	Rivsert Rivet -Fre M4/020
45	NV01.008	Hood For Dispen.Compartment Spring
46	U116.006	Screw Aut.Pt Tcb 3,5X12 Wn 1441 Znp
47	U110.004	Screw Aut.Tcb 3,5X6,5 Din 7981 F

from s.n. 9012NS60002819
up to s.n. 9012NS60002818

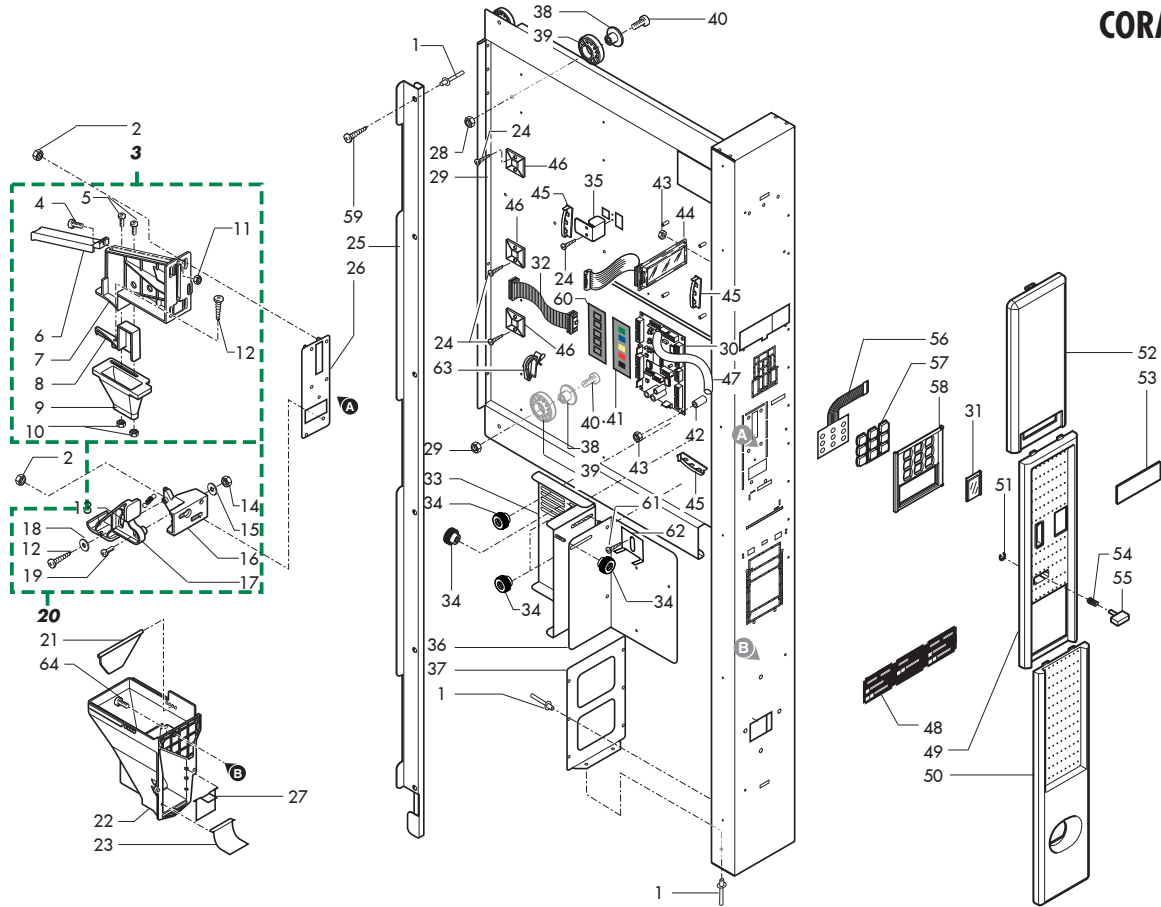
Pos. Code	Description	Note
47	129670202	Tcb Panelvit Screw 3,5X16 Testa D=8 Znp
48	U302.004	Nut Hexagonal M6 Uni 5588
49	U208.006	Toothed Washer 6,4X11 Uni 3703



Pos.	Code	Description	Note
1	12001903	Lock Meroni 354	
2	11013582	Handle For Coin Case New Snack	
3	0701.R29	Key Ka 35	
4	NF11.026	Expansion Rivet D.3,9X8 Alu.	
5	9111.174.050	Coin Hopfor	
6	11013556	Cover Coin Box New Snack 6S	
7	11031070	Lever For Lock	
8	11013558	Ass.Cassa Monete New Snack	
9	11013557	Ass.Cassa Monete New Snack 6S	
10	11010995	Griglia Condensatore New Snack	
11	WGADI7986-6X12l	Ss M 6X12 Screw (Din7985/Uni7687)	
12	187850400	Tripole Socket Self-Locking	
13	NE01.054	Cable With Plug En60320 C13	
14	NE01.051	Cable Switzerland With Plug En603	
15	NE01.050	Cable Schuko With Plug En60320 C1	
16	11010989	Card Cover New Snack Black	
17	U127.001	Screw Tapt.Tcb M3,0X6 Din 7500C	
18	12000962	Multigrip Rivets 4.8X11	
19	11010992	Trasformer Support New Snack	
20	11010991	Card Support New Snack	
21	12001211	Alimentatore Switching X New Snack	
22	U109.003	Screw Tcb 3,5X9,5 Din 7981 C Nick	
23	NE13.080	Power Relay	
24	11011777	As.Pwr+Sw Snack My08	
25	11029212	Card Protection Snack	
26	11013611	Isolante X Elettronica New Snack	
27	11010993	Electronic Card Vain New Snack Black	
28	NL04.014	Spacer Card H=9,5	
29	11012342	Harness Cover Back/Slot	
30	11011052	Ass.Cerniera Suferiore Salfrom s.n.ta New Snack	
31	11010972	forno for Scorrimento Cerniera Sup.	
32	11011030	Rinforzo Cerniera Suferiore New Snack	
33	11010596	Ventola X New Snack	
34	11010755	Support Fan	
35	U127.011	Screw Tapt.Tcb M5,0X8 Din 7500C	
36	11013681	Separator Plate Insulator 6Sp	
37	U023.020	Screw Tcei M6X20 Uni 5931 Zin	
38	1602.147	Bush For Door Connecting Rod	
39	NE17.002	Adh.Cable Retai.Round Cable D=10Mm	
40	U043.006	Screw Tcbc M4,0X14 Uni 7687 Galv.	
41	11010481	Connector Support Drawer New Snack	
42	15001931	Adhesive Label	
43	0875.645	Air Temforature Probe	
44	11022104	Bush For Slot New Snack	
45	U110.007	Screw Aut.Tcb 2,9X16 Din 7981 F Znp	
46	128310404	Washer Uni 8842 A4 Burnished	

Pos.	Code	Description	Note
47	129824002	Tcb Screw M4X10 Uni 7687 Znp	
48	11010986	Carter For Micro New Snack Black	
49	NE05.039	Bipolar Microswitch	
50	1602.170	Spacer For Door Micro	
51	11010987	Support For Door Micro New Snack	
52	U109.037	Screw Aut.Tcb 4,8X13 Din 7981 C	
53	NV01.002	Foot D.34 H.35 With Nut M10	up to s.n. 9011NS60001882
53	NV01.004	Foot D34 H54 With Nut M10 Rbs-19Bk-Acry	from s.n. 9011NS60001883
54	11022292	Support Lower Hinge New Snack Blk	
55	11011710	Bush	
56	11008667	forno X Blocchetto Cerniera	
57	11010968	Rinforzo Cerniera Inferiore New Snack	
58	11010966	Cerniera Inferiore New Snack	
59	12001344	Screw Tsei M8X30 Uni 5933 Znp	
60	11023786	Left Guide Panel New Snack Black	
61	11028132	Polystyrene X Card Vain	
62	11023840	Stop For Box Corallo 6S H1700	
63	U043.015	Screw Tcbc M5,0X12 Uni 7687 Galv.	
64	11011711	Guifrom s.n. Suferiore X Slot New Snack	
65	11011687	Ruota Esterna X Guifrom s.n. Slot	
66	11011688	Internal Bush	
67	11012324	Lower Guide For Slot New Snack	
68	11023788	Back Channel Air Corallo 6S H1700	
69	11010505	Convogliatore Aria Inferiore	
70	11022337	Ass.Cassa Monete New Snack 6S	
71	11024567	Sheet Plate Skirting Band Ali/Cor Slave	Slave
72	11024563	Skirting Band Corallo Slave Blk	Slave
73	11025117	Support Sheet Metal W/Master/Slave Blk	Slave
74	11024531	Back Plate Closed Master/Slave Blk	Slave
75	11024266	Support Led Bar H1700	up to s.n. 9012NS60002818
75	11030433	Sheet Metal Vain Closed Led Bar H1700	from s.n. 9012NS60002819
76	11024095	Led Value Plus Lcm310 900Mm Barrel	up to s.n. 9011NS60001774
76	11026766	Led Value Plus Lcm310 900Mm Barrel Cw	from s.n. 9011NS60001775
77	12001532	Kit Fixing Led Lcm310 Mounting Set Shelf	up to s.n. 9012NS60002818
78	12001531	Power Supply Barrel Dvr20E	up to s.n. 9011NS60001631
79	NF11.022	Expansion Rivet D=2,8X8 Alu. Black	
80	12000372	Clamp 10 Pole Eleco	
81	NE03.038	Bipolar Switch Fusit C1250Ar	
82	J101.016	Aerstop Tape An12 2X40	

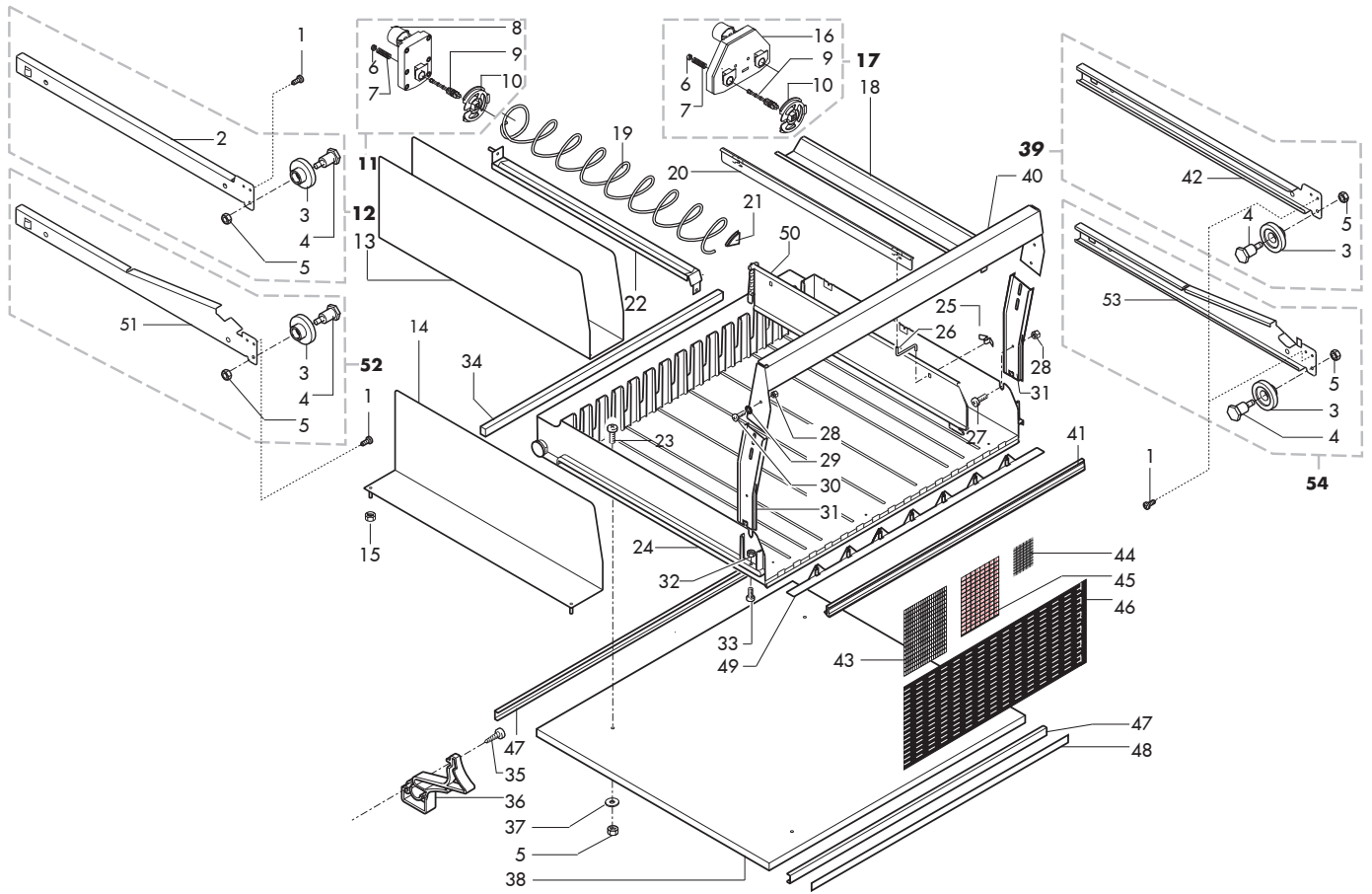


CORALLO 1700


Pos. Code	Description	Note
1	12000962	Multigrip Rivets 4.8X11
2	U324.003	Nut M5 Flanged Indented Base
3	11011614	Ass.Scivolo Monete Cristallo400
4	U043.007	Screw Tcbc M3,0X8 Uni 7687 Galv.
5	U046.003	Screw Tcbd Torx 20 M4X12 Zn-B
6	11011663	Slide Cover Coin
7	11011616	Coin Chute
8	11011618	Blocco X Convogliatore Monete Regolabile
9	11012131	Coin Conveyor Adjustable Fs400/600
10	U302.003	Galv.Nut Hexagonal M4 Uni 5589 Zn
11	U302.002	Nut Hexagonal M3 Uni 5588
12	U116.005	Screw Aut.Pt Tcb 3,0X8 Wn 1441
13	9111.397	Spring For Tray /Lever Coin Recove
14	123453102	Galv.Self Lock Nut High M4 Din 982
15	U201.005	Plain Washer 4,3X12 Din 7349 Gal
16	11011619	Support Lever Coin Recovery
17	11011660	Lever Coin Recovery
18	U212.006	Washer 3,2X11X0,5 Znp
19	129825002	Tcb Screw M4X20 Uni 7687 Znp
20	11011615	Lever Ass. Coin Recovery
21	11011662	Adjustable Plate
22	11011661	Duct Coin Recovery
23	9111.357.050	Coin Chute Bottom Black
24	U109.003	Screw Tcb 3,5X9,5 Din 7981 C Nick
25	11023870	Fastening Sheet Slot Corallo H1700 Blk
26	11012569	Ass.Piastra Mont.Canale Monete Fs400/600
27	11006845	Door Conducting Coins Grey
28	U310.004	Nut Self Lock.M6 Uni 7473
29	20006948	Space Parts For Slot Corallo H1700
30	11012104	Cpu+Sw As.Snack My08
31	1863.065	Ass.Coin Box
32	11013675	Flat Cable 16 Poli L.400 Maschio/Femmina
33	11011136	Slide For Coin Box Support New Snack
34	12002034	Knob With Bush M5
35	11010644	Stop X Slot
36	11026785	Supporto Gettoniera Corallo H1700
37	11012355	Lower Reinforcement Frontal Slot
38	11011688	Internal Bush
39	11011687	Ruota Esterna X Guifrom s.n. Slot
40	U023.020	Screw Tcei M6X20 Uni 5931 Zin
41	0875.741	Touch Panel
42	12001284	Spacer For Card New Snack Ss10-02
43	NF11.047	Nut M4 H.4,5 In Plastic
44	192200500	20X2 Lcd Blue Display Stn + Flat
45	NE17.001	Adh.Cable Retain.Flat Cable L=30Mm
46	148601300	Wire Clamp
47	11022723	Flat Connector Touch Panel/Cpu

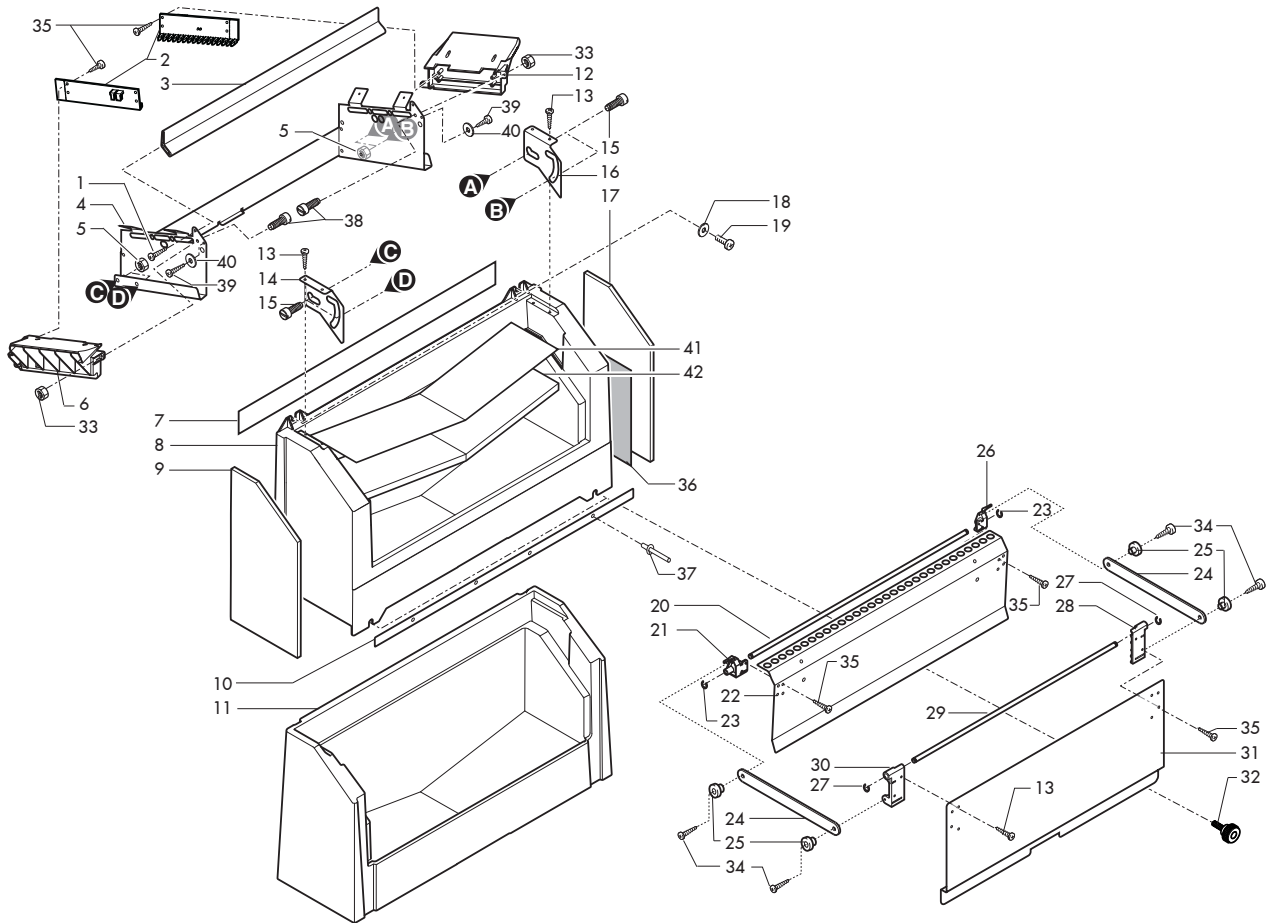
Pos. Code	Description	Note
48	15002006	Instructions/Label Spiralfood 6S Gry Ita
48	15002007	Instructions/Label Spiralfood 6S Gry Fra
48	15002008	Instructions/Label Spiralfood 6Sp Gry De
48	15002009	Instructions/Label Spiralfood 6S Gry Por
48	15002010	Instructions/Label Spiralfood 6Sp Gry NI
48	15002011	Instructions/Label Spiralfood 6S Gry Eng
48	15002012	Instructions/Label Spiralfood 6S Gry Spa
49	11014265	Fs400 Introduction Coins Panel Blk
50	11014270	Black Panel Recovery Rest
51	U701.003	Snap Ring 7 Uni 7434
52	11014273	Black Fs400 Sufiorior Column Panel
53	11013761	Vetrino X Display New Snack Serig.Nero
54	9111.355	Spring For Change Button
55	11006846	Pulsante Recuforo Monete Gry
56	11023241	Printed Circuit Touch Panel Corallo
57	11023281	Touch Panel Corallo 6Sp
58	11024082	Keyboard Panel Corallo
59	U110.003	Screw Aut.Tcb 3,5X9,5 Din 7981 F
60	15001895	Touch Panel Plate New Snack
61	U127.011	Screw Tapt.Tcb M5,0X8 Din 7500C
62	9111.384	Coin Box Fixing Bracket
63	NE17.013	Cable Retainer
64	U043.015	Screw Tcbc M5,0X12 Uni 7687 Galv.





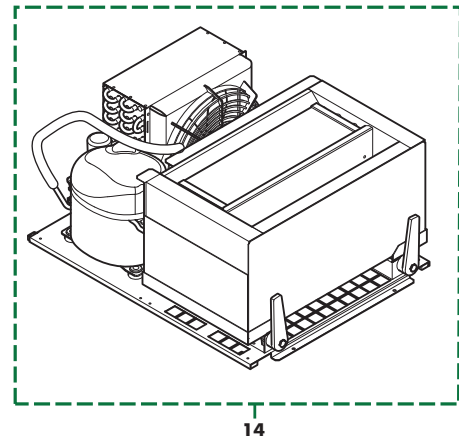
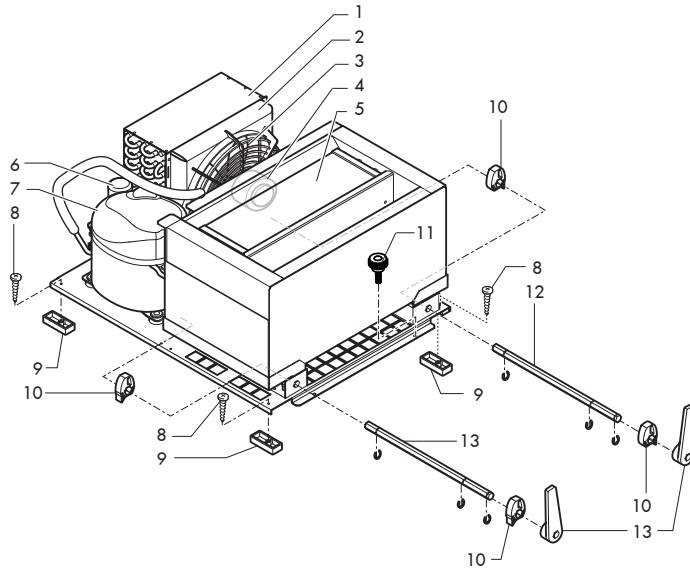
Pos. Code	Description	Note
1	U143.022 Screw T.M.T. K.F.R. 3,5X9,5 Znp	
2	9111.436.050 Left Std Guide In Sh.Metal For Cool	
3	9111.251.050 Wheel For Guide Black	
4	9111.271 Pin For Wheels	
5	U302.001 Nut Hexagonal M5 Uni 5588	
6	9111.250.050 Retainer For Spiral Motor Shaft Bl	
7	9111.504 Spring For Spirals Motor	
8	9121.192.00P Ratiomotor Single 24V	
9	9111.247.050 Shaft For Spirals Motor Black	
10	9111.248.050 Ring Nut For Left -Right Spiral Bl	
11	9120.030.00P Ratiomotor Ass.Fider Single 24V	
12	9110.081 Guide Ass.	
13	9111.484.050 Bottles Separator	
14	9111.490.050 Bottles Separator	
15	U324.006 Nut M4 Flanged Indented Base	
16	9121.193.00P Ratiomotor Double 24V	
17	9120.031.00P Ratiomotor Ass.Snack Double 24V	
18	9111.460.050 Sheet Metal Guide For Spirals	
19	11009444 Distrib. Spiral D.65 P60 Right	
19	11009445 Distrib. Spiral D.65 P60 Left	
19	9111.254.940 Spiral D.70 P 75 Right Chrome	
19	9111.275.940 Distrib. Spiral D.65 P35 Left Ch	
19	9111.276.940 Distrib. Spiral D.65 P24 Left Ch	
19	9111.277.940 Distrib. Spiral D.65 P45 Left Ch	
19	9111.278.940 Distrib. Spiral D.65 P75 Left Ch	
19	9111.279.940 Distrib. Spiral D.65 P35 Right C	
19	9111.280.940 Distrib. Spiral D.65 P24 Right C	
19	9111.281.940 Distrib. Spiral D.65 P 85 Right C	
19	9111.282.940 Distrib. Spiral D.65 P75 Right C	
19	9111.584.940 Distrib. Spiral D.65 P20 Right C	
19	9111.600.940 Distrib. Spiral D.65 P17	
19	9111.603.940 Spiral D.70 P 90 Right	
19	9111.604.940 Spiral D.65 P 40 Right	
19	9111.605.940 Spiral D.65 P 57 Right	
19	9111.608.940 Spiral D.65 P 85 Right	
19	9111.611.940 Spiral D.65 P 50 Right	
20	9111.440.050 Parallelogram In Plastics	
21	9111.292.050 Tongue For Spiral	
22	9111.461.050 Bridge For Bottles/Tins	
23	U043.026 Screw Tcbc M5,0X50 Uni 7687 Galv.	
24	9111.430.050 Products Drawer 8 Spirals	8 spirals
24	9111.444.050 Products Drawer 6 Spirals	6 spirals
25	9111.438 Sheet To Fix Supp.Parallelogram	
26	9111.439 Spring For Parallelogram	
27	U044.004 Screw Tspc M3,0X12 Uni 7688 Galv.	
28	U302.002 Nut Hexagonal M3 Uni 5588	
29	U201.001 Plain Washer 3,2X9 Din 7349 Galv.	

Pos. Code	Description	Note
30	U043.028 Screw Tcbc M3,0X10 Uni 7687 Galv.	
31	9111.432.050 Plastic Support For Contrast Rod	
32	U315.001 Nut Square M4 Uni 5596 Galv.	
33	129854021 Tsp Screw M4X8 Uni 7688 Ss	
34	11013661 Separator Insulator 6Sp	6 spirals
34	11013662 Separator Insulator 8Sp	8 spirals
35	U109.005 Screw Aut.Tcb 3,5X16 Din 7981 C	
36	11013114 Stop For Box New Snack	
37	U207.001 Plain Washer 5,3X10 Uni 6592 Gal	
38	11012314 Pannelo Isolante X Cassetto 8S	8 spirals up to s.n. 9010NS80001290
38	11012341 Pannelo Isolante X Cassetto 6S	6 spirals up to s.n. 9010NS60001354
39	9110.082 Guide Ass.	
40	9111.479.050 Bottles Contrast Rod 8Sp Black	8 spirals
40	9111.480.050 Bottles Contrast Rod 6Sp Black	6 spirals
41	11013992 Label Holder Profile	8 spirals
41	9111.458.050 Alu.Strip For Labels 6S	6 spirals
42	9111.442.050 Right Std Guide In Sh.Metal For Coo	
43	1602.983 Price from s.n.ta Plate	
44	1602.986 Accepted Coins Sticker Euro	
45	15002720 Label For Spiral	Slave
45	1602.984 Label For Spiral	
46	1602.953 Price from s.n.ta Plate	
47	11013730 Front Cover	8 spirals up to s.n. 9010NS80001290
47	11013731 Front Cover	6 spirals up to s.n. 9010NS60001354
48	11021741 Adhesive Label	up to s.n. 9010NS80001290 for Aliseo o up to s.n. 9010NS60001354 for Corallo
49	9111.557 Separators For Reinforcement	
49	9111.585 Separators For Reinforcement 6 File	
50	9111.431.050 Divider For Products Drawer	
51	9111.443.050 Left Inclined Guide In Sh.Met. For	
52	9110.089 Guide Ass.	
53	9111.437.050 Right Inclined Guide In Sh.Met.For	
54	9110.090 Guide Ass.	



Pos. Code	Description	Note	
1	U109.003	Screw Tcb 3,5X9,5 Din 7981 C Nick	
2	1602.A29	Ass.Photoelectric Cell	
3	11010502	Handle For Vain Rotation Product 8S	8 spirals
3	11011083	Handle For Vain Rotation Product 6S	6 spirals
4	11012145	Telaio Casset.Rec.Prod.New Snack 6S Nero	6 spirals
4	11012146	Telaio Casset.Rec.Prod.New Snack 8S Nero	8 spirals
5	U302.004	Nut Hexagonal M6 Uni 5588	
6	11010537	Supporto Fotocellule Sx New Snack	
7	11013661	Separator Insulator 6Sp	6 spirals
7	11013662	Separator Insulator 8Sp	8 spirals
8	11010503	Product Recovery Drawer New Snack 8S	8 spirals
8	11011084	Product Recovery Drawer New Snack 6S	6 spirals
9	11013667	Left Side Insulator For Recovery Box	
10	11011041	Plate For Seal Product Recovery Drawer	8 spirals
10	11011079	Plate For Seal Product Recovery Drawer	6 spirals
11	11010504	Isolator For Drawer Product Recovery 8S	8 spirals
11	11011085	Isolator For Drawer Product Recovery 6S	6 spirals
12	11010536	Supporto Fotocellule Dx New Snack	
13	U109.016	Screw Aut.Tcb 3,9X13 Din 7981 C	
14	11012148	Rinf.Sx X Rotaz.Vano Rec.Prod.Nero	
15	U023.004	Screw Tcei M6,0X12 Uni 5931 Galv.	
16	11012147	Rinf.Dx X Rotaz.Vano Rec.Prod.Nero	
17	11013668	Right Side Insulator For Recovery Box	
18	U207.013	Plain Washer 6.5X18 Uni 6592 Galv	
19	U043.014	Screw Tcbc M5,0X20 Uni 7687 Galv.	
20	11010540	Door Rotation Pin 8S	8 spirals
20	11011075	Door Rotation Pin 6S	6 spirals
21	1602.205.050	Support Dx Door	
22	11010543	Protection Door For Product Recovery 8S	8 spirals
22	11011077	Protection Door For Product Recovery 6S	6 spirals
23	U701.011	Steel Snap Ring 5 Uni 7434	
24	1602.105	Door Connecting Rod	
25	1602.147	Bush For Door Connecting Rod	
26	1602.215.050	Support Sx Door	
27	U701.003	Snap Ring 7 Uni 7434	
28	1602.204.050	Support Dx Door Push	
29	11010539	Anterior Door Rotation Pin 8S	8 spirals
29	11011074	Anterior Door Rotation Pin 6S	6 spirals
30	1602.203.050	Support Sx Door Push	
31	11010542	Front Door For Products Recovery 8S	8 spirals
31	11011076	Front Door For Products Recovery 6S	6 spirals
32	12002031	Knob D.18 M5X15	
33	123453102	Galv.Self Lock Nut High M4 Din 982	
34	U116.006	Screw Aut.Pt Tcb 3,5X12 Wn 1441 Znp	
35	U110.003	Screw Aut.Tcb 3,5X9,5 Din 7981 F	
36	Jl01.011	Adh. Tape Fabric Finish Black L.50	8 spirals
37	NF11.022	Expansion Rivet D=2,8X8 Alu. Black	

Pos. Code	Description	Note	
38	129824002	Tcb Screw M4X10 Uni 7687 Znp	
39	U109.012	Screw Aut.Tcb 3,9X19 Din 7981 C	
40	128310421	Washer Uni 8842 A4 Ss	
41	11024073	Sheet Product Vain Corallo	6 spirals
41	11024075	Sheet Product Vain Aliseo	8 spirals
42	11024076	Insulator Product Vain Corallo	6 spirals
42	11024077	Insulator Product Vain Aliseo	8 spirals



Pos. Code	Description	Note
1	20006686 Capacitor 1050240F70 Newsnack	
2	20006684 Conveyor Cg230 New Snack	
3	20006682 Fan Ao230-28 New Snack	
4	20006683 Fan Fmi Aa7707710X New Snack	
5	20006685 Evaporator 0660340N00 New Snack	
6	20006681 Capacitor 55310230 Newsnack	
7	20006680 Compressor Nek6210Gk-A-Csir New Snack	
8	U109.003 Screw Tcb 3,5X9,5 Din 7981 C Nick	
9	11012345 Slider For Refrigerator Unit New Snack	
10	11012344 Cam For Refrigerator New Snack	
11	12002031 Knob D.18 M5X15	
12	11012347 Hexagonal Rod Refrigerator Unit	
13	11012346 Handle For Refrigerator New Snack	
14	11012318 Fridge Unit Ass.230V X New Snack	
14	11030945 Fridge Unit 230/60 Bra	

Pos. Code	Description	Note