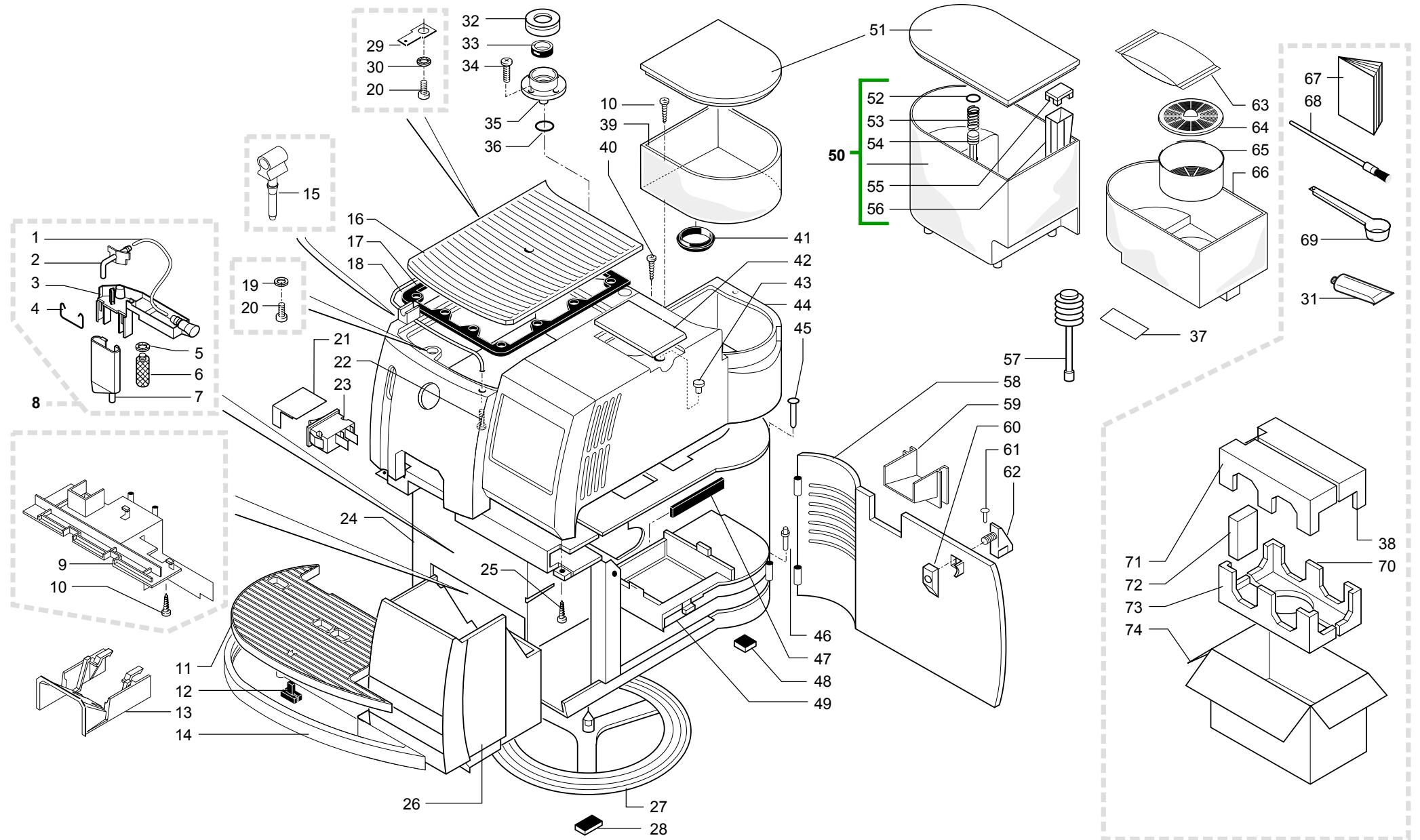
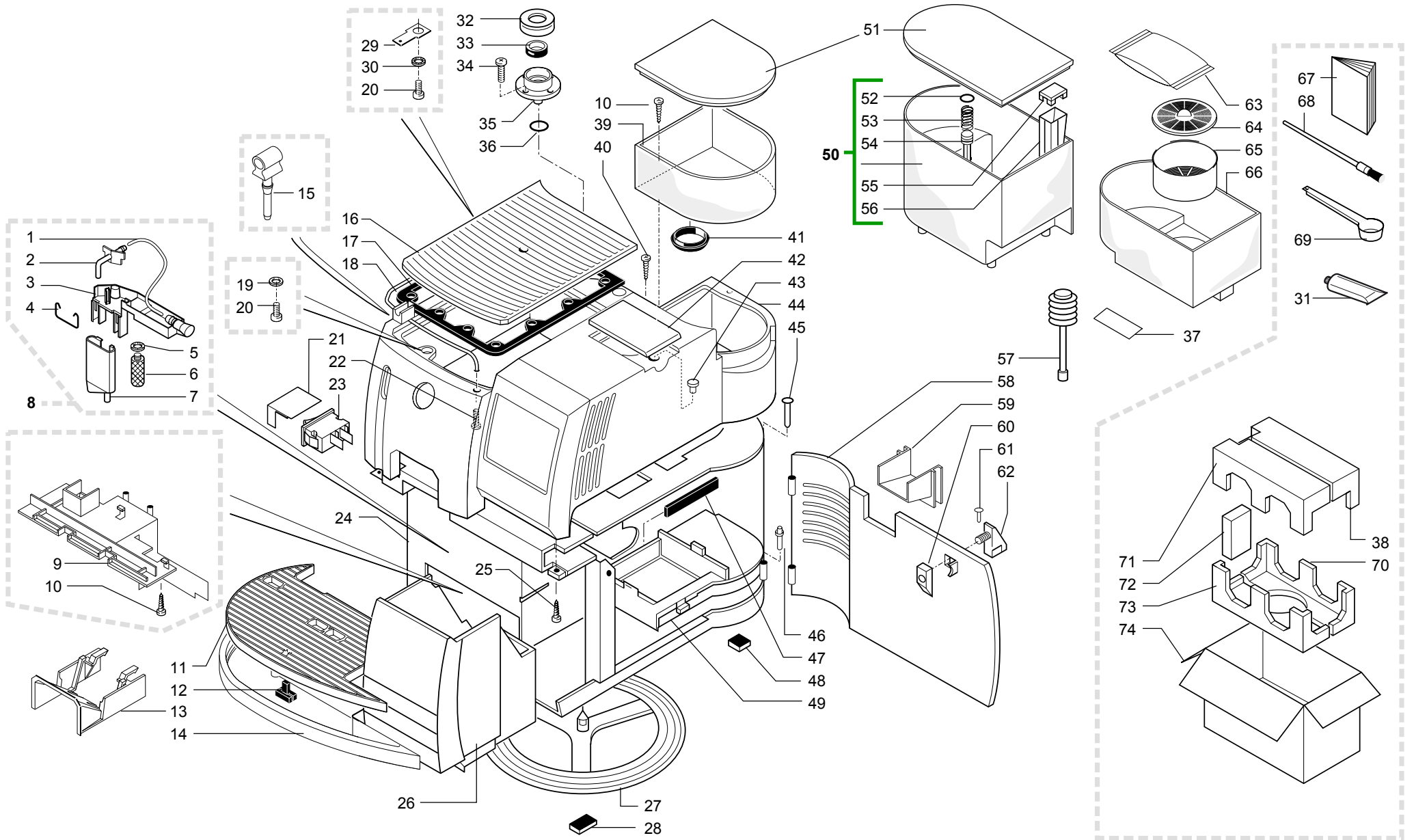


PR SAECO ROYAL COFFEE BAR FWA
COD.0341-10000108-2641-2-3-4-5



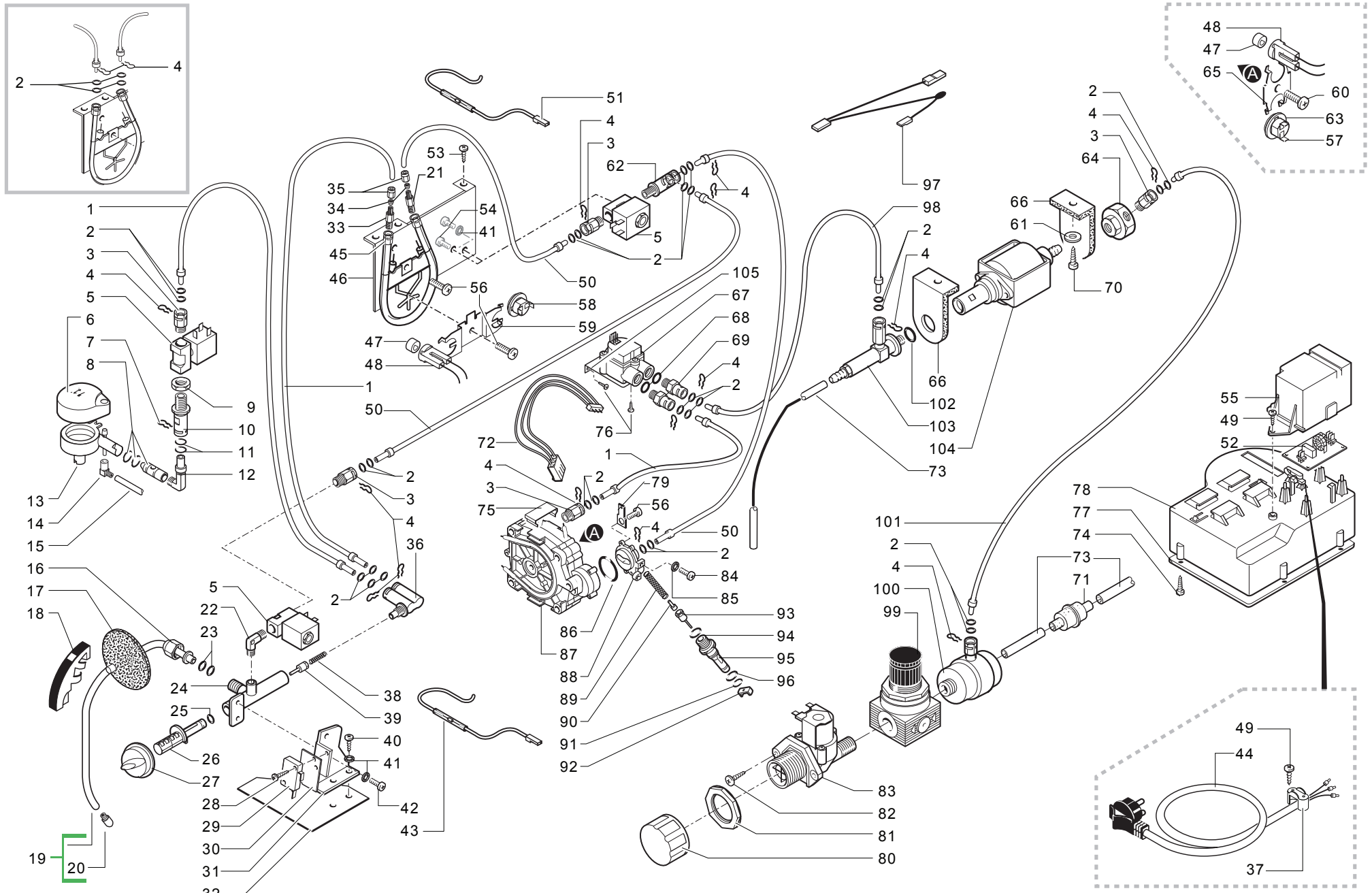
Ref.	Code	Description	Version	Ref.	Code	Description	Version
01	9972.027	SILICONE TUBE BROWN 5X8 L. 85 MM		27	0301.057.150	ROTATING RING WITH GREY FEET	WITH PART. N°28
02	11003705	CONNECTOR 90° DISPENSER		28	9991.096	ADHESIVE FOOT 8X15X3,2	
03	0327.010.760	FIXED CASING DISPENSER BLUE		29	NE15.003	MALE TONGUE PLAIN 6,3 D.5,2	
	0327.010.050	FIXED CASING DISPENSER BLACK		30	128310404	WASHER UNI 8842 A4 BURNISHED	
04	0327.037	SPRING FOR DISPENSER		31	11005044	SAECO KLUBER TRIBOSTAR SIL 2 TUBE 5GR.	
05	0301.052	SEAL FOR DISPENSER SCREW		32	0701.031.150	SEAL COVER GREY	
06	0301.050	SCREW M3 FOR DISPENSER		33	145842900	WATER CONTAIN.VALVE SEAL GACO DIM14	
07	0327.011.760	MOBILE DISPENSER CASING BLUE		34	129532521	SCREW TSP2,9X9,5 DIN 7982 SS	
	0327.011.050	MOBILE DISPENSER CASING BLACK		35	0701.014.150	SEAL CONTAINER GREY	
08	0327.A07.760	DISPENSER ASS. BLUE		36	140320461	OR METRICO 0080-20 IN TERMOIL	
	0327.A07.050	DISPENSER ASS. BLACK		37	0301.961	WATER HARDNESS TEST	
09	0301.033.150	TANK CASING GREY		38	0314.906	RIGHT UPPER INSERT IN TECHMATE	
10	129670202	TCB PANELVIT SCREW 3,5X16 TESTAD=8 ZNP		39	0317.010.230	COFFEE CONTAINER UL	
11	0314.016.770	GRATE FOR TANK PAINTED SILVER			0329.006.230	COFFEE CONTAINER	
12	145500211	RED FLOAT FOR SEB GRAN CAFFE'		40	12001622	SCREW TCB TORX B 3,5X9,5 SCHEET NIK	
13	0312.009.760	DISPENSER LID PAINTED BLUE		41	9161.270	SEAL FOR COFFEE CONTAINER	
	0312.009.710	DISPENSER LID GREY				UP TO S/N.341839	
14	0314.022.760	DRIP TRAY PAINTED BLUE		42	0313.008.770	DOSER LID DIGITAL SILVER	
	0314.022.710	DRIP TRAY GREY			0334.011.770	DOSER LID UL DIGITAL SILVER	
15	0312.016.280	RUBBER TUBE HOLDER GREY		43	0312.013.280	PLUG FOR SCREW HOLE GREY	
16	0312.015.66A	CUPWARMING PLATE ASS.SILVER	230V	44	0341.003.770	LID SAECO COFFEE BAR SILVER	
	0312.015.66F	CUPWARMING PLATE ASS.SILVER	120V		11009981	LID SAECO COFFEE BAR SILVER	
17	0312.014	CUPWARMER SEAL		45	0301.019	PEG FOR DOOR SUPERAUTOM.	
18	0329.002	TUBE FOR CASING LID		46	0301.020	PIN FOR DOOR SUPERAUTOMATICA	
19	U201.005	PLAIN WASHER 4,3X12 DIN 7349 GAL		47	9161.140	SEAL FOR UNIT PLATE	
20	129573202	SCREW TCB TORX 20M4X8 AUTOFORMING ZN-B		48	147623150	BLACK SQUARE ADHESIVE FOOT 5023	
21	0327.036	GENERAL SWITCH PROTECTION		49	0301.041.150	UNIT SUPPORT PLATE GREY	
22	U043.012	SCREW TCBC M4,0X6 UNI 7687 GALV.		50	0301.046.230	WATER TANK ASS. SUPERAUTOM.	
23	NE03.038	BIPOLAR SWITCH FUSIT C1250AR			0317.A16.230	WATER TANK ASS. MAGIC UL	
24	0341.002.760	CASING ASS.WATER NETWORK.BLUE		51	20006540	KIT RIC.COP.CAF.ARG+COP.ACQ.ARG.ROYAL	
		UP TO S/N.TV901103004877		52	NM01.032	OR ORM 0060-30 SILICONE BLACK	
	11009980	CASING ASS.WATER NETWORK.GREY		53	9161.110	SPRING FOR PISTON FOR SUPERAUTOM.	
		UP TO S/N.TV901103004877		54	147660562	GREY PISTON FOR WATER CONTAINER VALVE	
	11025919	BLUE CASING WATER SUPPLY V2		55	9161.050.230	NAT/TRANSPCAP FOR FLOATING SPACE MAGIC	
		FROM S/N.TV901103004878		56	9161.112.150	LEVEL FLOAT GREY	
	11025920	7021/GREY CASING WATER SUPPLY V2		57	147700200	LOADING PUMP DIAMETER 17 MM	
		FROM S/N.TV901103004878		58	0313.001.760	DOOR ASS. ROYLA BLUE	
25	U110.005	SCREW AUT.TCB 3,9X9,5 DIN 7981 F			0313.001.710	DOOR ASS. ROYAL GREY RAL 7021	
26	0312.032.760	DUMP BOX BLUE		59	0313.012.760	DOOR COVER S/SCREEN BLUE	
		UP TO S/N.TV901103004877			0313.012.710	DOOR COVER S/SCREEN GREY	
	0312.032.710	DUMP BOX PAINTED GREY RAL 7021		60	0301.040.150	DOOR CLOSURE LEVER GREY	
		UP TO S/N.TV901103004877		61	U433.001	NAIL 2X06 UNI 7591 BURN.	
	11025950	ROYAL/BLUE DUMP BOX V2		62	0301.039.760	DOOR CLOSURE KNOB BLUE	
		FROM S/N.TV901103004878			0301.039.710	DOOR CLOSURE KNOB GREY	
	11025951	7021/GREY DUMP BOX V2		63	0313.013	RESIN PACKET INTAFIL SYSTEM	(D)
		FROM S/N.TV901103004878		64	0313.015	RESIN CONTAINER LID INTAFIL	(D)
				65	0313.014	RESIN CONTAINER INTAFIL SYSTEM	(D)

PR SAECO ROYAL COFFEE BAR FWA
COD.0341-10000108-2641-2-3-4-5



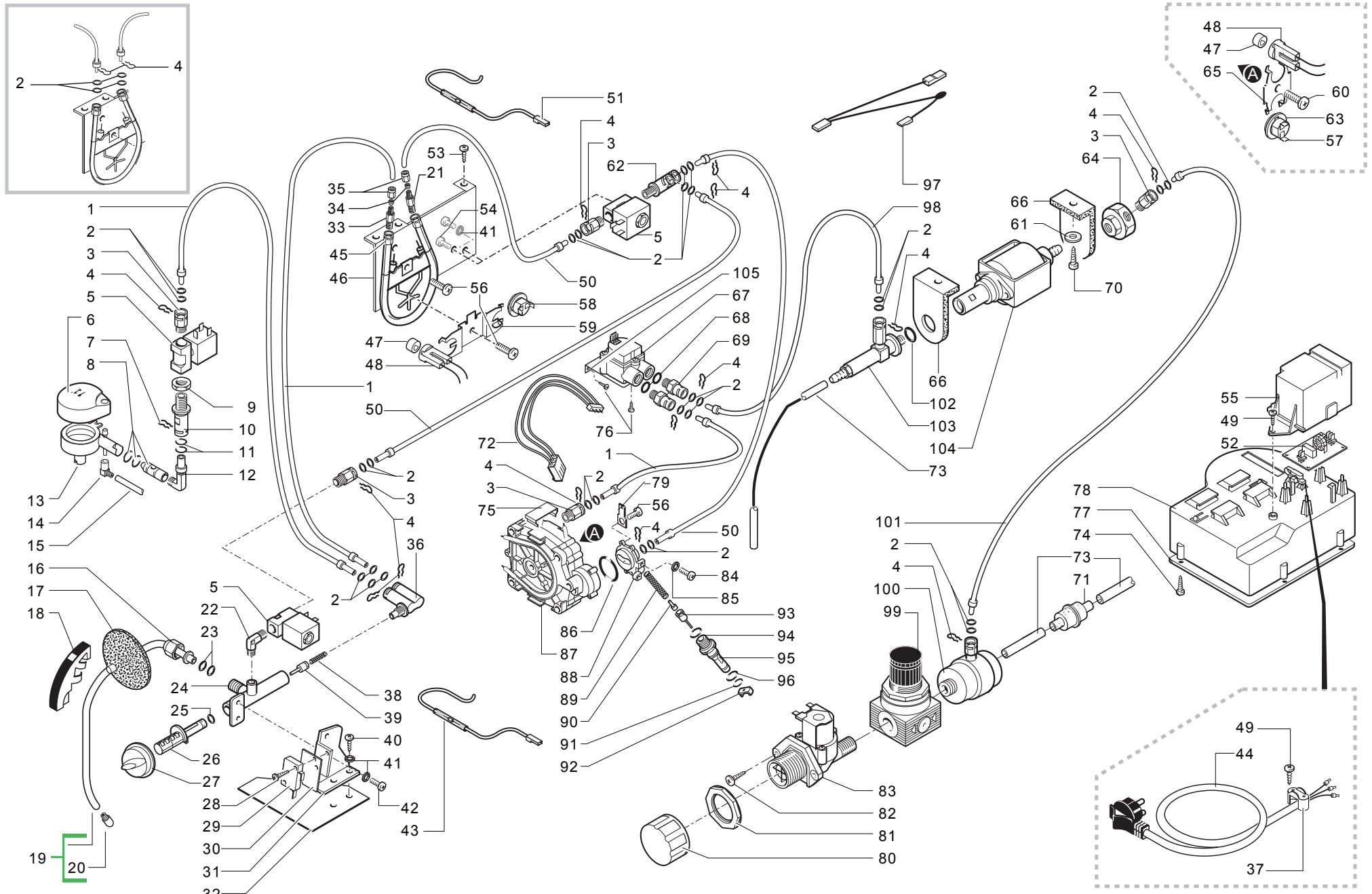
Ref.	Code	Description	Version	Ref.	Code	Description	Version
66	0313.016	WATER TANK ADAPTER INTAFIL	(D)				
67	0341.951	INSTRUCTION BOOKLET I D F GB UL					
	0341.952	INSTRUCTION BOOKLET GB E P NL					
68	127390100	BRUSH FOR CLEANING					
69	146680659	GREY MEASURE WITH HOLE					
70	0314.905	RIGHT LOWER INSERT IN TECHMATE					
71	0314.907	LEFT UPPER INSERT IN TECHMATE					
72	0314.909	DRIP TRAY BOX					
73	0314.904	LEFT LOWER INSERT IN TECHMATE					
74	0313.904	EXTERNAL BOX FLEXO ROYAL					

PR SAECO ROYAL COFFEE BAR FWA
COD.0341-10000108-2641-2-3-4-5



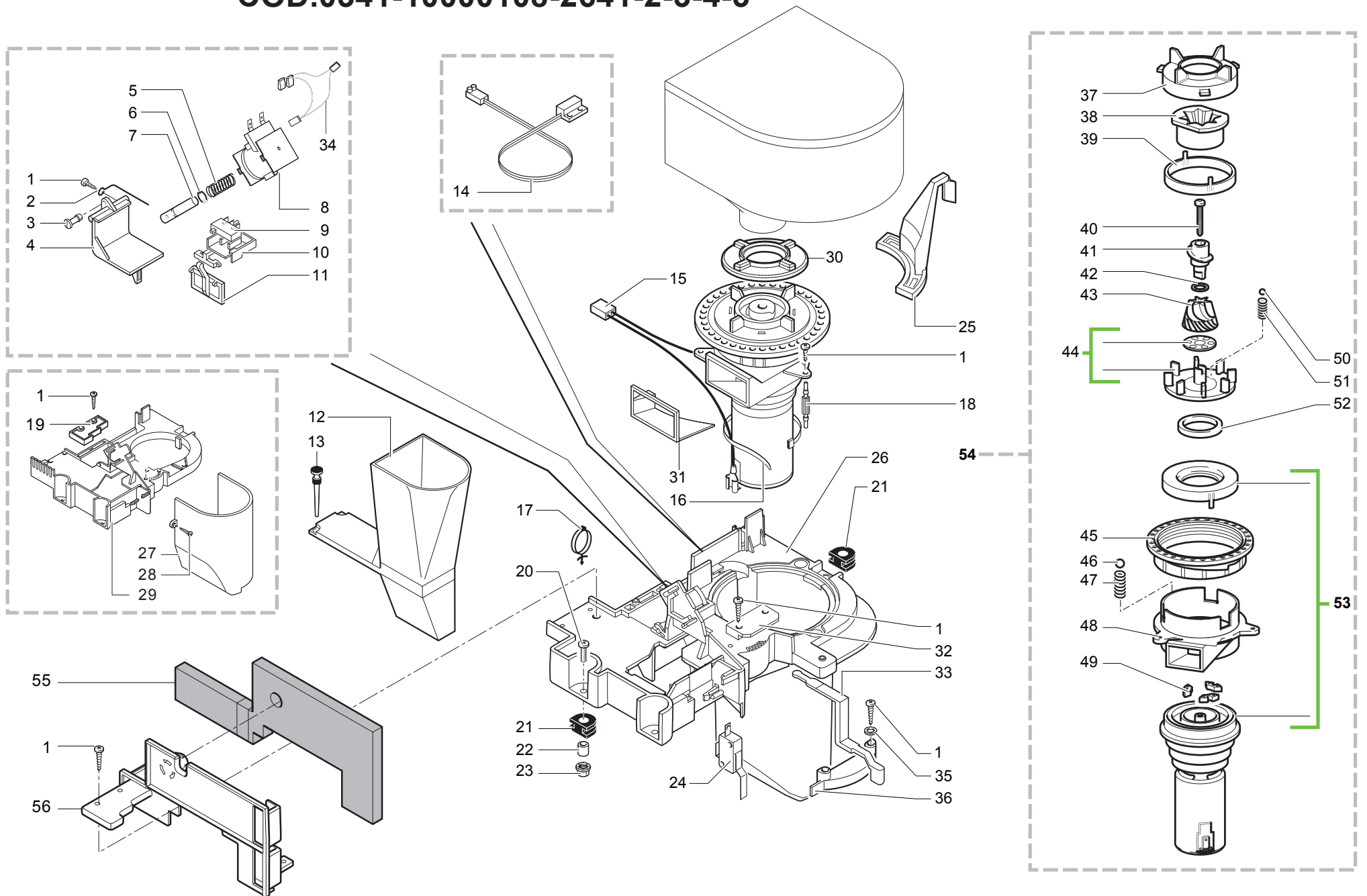
Ref.	Code	Description	Version	Ref.	Code	Description	Version
01	9979.A38	TEFLON TUBE ASS. 4X2 L.150 7-7 UP TO S/N.362813		35	123460220	BRASS NUT M8X1FOR TEFLON TUBE D=4 FROM S/N.362814	
	9979.A50	TEFLON TUBE ASS. 4X2 L.150 7 FROM S/N.362814			36	11008822	
02	NM02.028	OR 2015 EPDM FDA	230V 120V	37	9991.039	CABLE RETAINER UL	
03	11008875	TEA/BRASS CONNECTOR 1/8" FOR TUBE D=4			38	9011.007	
04	9011.144	FORK FOR TUBE D.4		39	11009018	TEA/BRASS PISTON L=15,1 ASSY.	230V 120V
05	11008828	SOLENOID VALVE 1/8"FEM.OTT/TEA		40	12001622	SCREW TCB TORX B 3,5X9,5 SCHEET NIK	
	11008829	SOLENOID VALVE 1/8"FEM.OTT/TEA		41	128310404	WASHER UNI 8842 A4 BURNISHED	230V 120V
06	0314.018.760	COVER FOR CAPPUCINATORE BLUE		42	129823802	TCB SCREW M4X8 UNI 7687 ZNP	
	0314.018.710	COVER FOR CAPPUCINA. PAINTED GREY		43	0314.810	CABLE 1 WIRE SILIC.WHITE TH/FUSE 192°	230V 120V
07	9161.135	SPRING FOR STEAM FAUCET		43	0317.821	CABLE 1WIRE SILIC.BLUE AWG18 TH/FUSE192°	
08	142270200	TUBE+W/O RETAIN.CAPPUCINATORE +/2OR		44	NE01.120	CABLE SCHUKO GREY H05	CH AUS USA
09	U303.002	NUT HEXAGONAL M12X1,25UNI 5589		NE01.118	CABLE CH H05 GREY 1 MM	230V 120V	
10	11008452	TEA/BRASS SUPPORT FOR 90°CONNECTOR		NE01.114	POWER CABLE AUSTRALIA		230V 120V
11	NM02.007	OR 2025 TERMOIL		NE01.116	CABLE USA 3P GREY 1 MM	230V 120V	
12	11008451	TEA/BRASS 90°CONNECT.FOR CAPPUCIN.		45	0334.R10.00A		KIT SPARES BLECKMANN BOILER
13	142520130	CAPPUCINATORE AS.NEUTRAL WHITE		0334.R10.00F	KIT SPARES BLECKMANN BOILER	230V 120V	
	142520150	CAPPUCINATORE AS.NEUTRAL BLACK		46	0334.001		NEW SYSTEM BRACKET
14	9991.122.010	CONN. FOR CAPPUCINATORE WHITE		47	11004424	ALUM.SPACER FOR PHILIPS SENSOR MAGIC	230V 120V
	9991.122.050	CONN. FOR CAPPUCINATORE BLACK		48	9019.A65	SENSOR ASS. FOR AUTOMATICA	
15	9972.045	SILICONE TUBE 3,5X6 L.350 MM		48	9019.A66	SENSOR ASS. FOR AUTOMATICA UL	230V 120V
16	9161.438	NUT FOR STEAM TUBE		49	U140.009	PANELVIT TCB 3,0X16 DIN 7505 B GAL	
17	9161.058.150	INTERNAL PROTECTION FOR TUBE GREY		50	9979.A55	TEFLON TUBE ASS. 4X2 L.260 7-7 UP TO S/N.362813	230V 120V
18	9161.055.760	HANDGRIP FOR ST. TUBE BLUE			9979.A88	TEFLON TUBE ASS. 4X2 L.280 7 FROM S/N. 362814	
	9161.055.710	HANDGRIP FOR ST. TUBE GREY		51	0334.822	CABLE 1 WIRE SILIC.WHITE TH/FUSE 216°	230V 120V
19	11004226	STAINLESS STEEL STEAM TUBE ROYAL ASSY.		0334.823	CABLE 1WIRE SIL.WHITE AWG16 TH/FUSE 216°	230V 120V	
20	9011.190	DISPENSER FOR STEAM TUBE D.1,5		52	0301.828.00F		FILTRATION CARD SUPERAUTOM.
21	227961803	NIK/BRASS INLET CONNECTOR BOILER FROM S/N.362814		0314.804	FILTRATION CARD 12A	230V 120V	
22	NR07.029	STANDARD CONN. L MM 1/8 NICK		53	U110.004		SCREW AUT.TCB 3,5X6,5 DIN 7981 F
23	140324461	OR METRIC 0060-20 IN TERMOIL		54	U043.012	SCREW TCBC M4,0X6 UNI 7687 GALV.	230V 120V
24	11009006	TEA/BRASS FAUCET BODY		55	9161.126.150	COVER FOR FILTER CARD GREY	
25	140321461	OR 2018 IN EPDM		9161.336.150	COVER FOR FILTER CARD GREY UL	230V 120V	
26	9161.057	STEAM FAUCET ROD		56	U046.003		SCREW TCBC M4,0X12 INDENT. WASH.8
27	0312.004.760	STEAM KNOB PAINTED BLUE		57	NE09.021	THERMOSTAT 150°NC FASTON 90°	230V 120V
	0347.010.710	STEAM KNOB GREY RAL 7021		58	NE09.006	THERMOSTAT 170°NC FAST. 90°+WASHER	
28	U109.014	SCREW AUT.TCB 2,9X16 DIN 7981 C		59	9011.187	THERMOSTAT RETAINING SPRING	230V 120V
29	NE05.013	MICROSWITCH		60	U023.022	SCREW TCEI M6,0X30 UNI 5931	
30	11009072	INSULATE PROTECTION 24X38,8 FOR MICRO		61	U207.004	PLAIN WASHER 4,3X16 UNI 6592 GAL	230V 120V
31	0312.011	STEAM FAUCET BRACKET		62	227901103	NIK/BRASS 90°CONNECT.DOUBLE FAST/LOCK	
32	0348.013	CLOSURE PLATE		63	9991.085	THERMOSTAT FIXING WASHER	230V 120V
33	227961903	NIK/BRASS CONNECTOR FOR TUBE TEFLON 4X2 FROM S/N.362814		64	9079.A14	REAR CONNECTOR ASS.1/8 FOR ULKA PU	
34	9161.431	OGIVE BUSH D=4 FROM S/N.362814		65	9011.034	THERMOSTAT RETAINING SPRING	230V 120V
				66	149185850	EATON PUMP SUPPORT MAGIC 4002012	
				67	NV99.029	DIGMESA TURBINE IN BRASS	230V 120V
				68	NM01.049	OR ORM 0070-20 SILICONE	

PR SAECO ROYAL COFFEE BAR FWA
COD.0341-10000108-2641-2-3-4-5



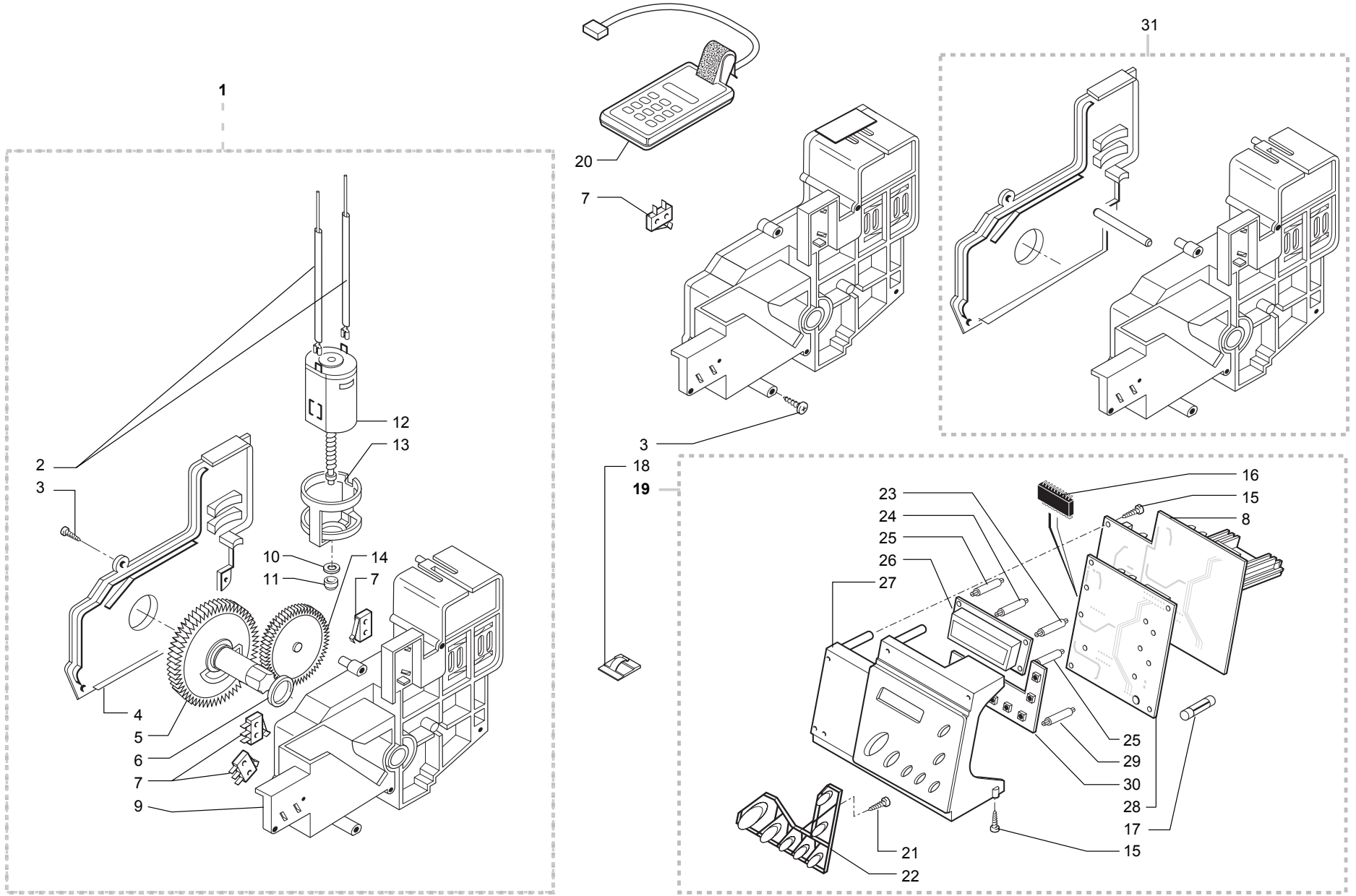
Ref.	Code	Description	Version	Ref.	Code	Description	Version
69	9161.308	BRASS CONNECTOR WATER SYSTEM TURBINE					
70	U110.003	SCREW AUT.TCB 3,5X9,5 DIN 7981 F					
71	144650300	SUCTION FILTER GAUZE NET 500 (NEW					
72	0341.806	CONN. ASS. FOR DIGMESA TURBINE UL					
72	0701.871	CONN. ASS. FOR DIGMESA TURBINE					
73	9972.022	SILICONE TUBR 5X8 L.2MT					
74	129670202	TCB PANELVIT SCREW 3,5X16 TESTAD=8 ZNP					
75	9011.054	SPRING FOR THERMAL FUSE					
76	U109.011	SCREW AUT.TCB 3,9X9,5 DIN 7981 C					
77	0301.055.150	LID FOR POWER CABLE CONT. GREY					
78	0301.056.150	POWER CABLE CONT. VDE GREY					
	0335.008.150	POWER SUPPLY CABLE GREY UL					
79	NE15.026	MALE TONGUE 45° 6,3 D.5,2					
80	NV03.002	"CAP 3/4 ""KAPSTO 800R 3/4""					
81	NV99.075	NYLON FERRULE G3/4"					
82	U109.023	SCREW AUT.TCB 4,2X9,5 DIN 7981 C					
83	9121.058.00A	ELECTROVALVE 3/4-1/4	200/240V				
	9121.058.00F	ELECTROVALVE 3/4-1/4	100/120V				
84	U043.021	SCREW TCBC M5,0X8 UNI 7687 GALV.					
85	U208.003	TOOTHED WASHER 5,1X9 BRU					
	140324562	OR 2106 IN SILICONE					
87	421941309101	KIT SPARES BOILER CASINGS RYL PROF	230V				
	421941309111	KIT SPARES BOILER CASINGS RYL PROF.	120V				
88	9011.165	BOILER SUPPORT WITH TUBE CONN. D.4					
89	9011.132	SPRING FOR PIN					
90	11009013	TEA/BRASS PIN FOR PISTON L=10					
91	NM01.057	OR ORM 0050-20 SILICONE					
92	11005099	NATURAL CURSOR V2 FOR BOILER P119					
93	11009019	TEA/BRASS PISTON L=20,9 ASSY.					
94	140320459	OR METRICO 0080-20 SILICON.PTFE/FDA					
95	9011.100	PEG FOR VALVE IN PLASTIC					
96	NM01.035	OR ORM 0090-20 SILICONE					
97	0341.801	CONNECTOR ASS. 5POLE					
	0341.808	CONN.ASS. 5POLE UL					
98	9979.A62	TEFLON TUBE ASS. 4X2 L.180 7-7					
99	NV99.007	PRESS. REDUCER .1BAR 1/4 MRABIT 52					
100	9160.050	ASPIRAT.VALVE+PRESS.RED.0,5 BAR ASS					
101	9979.A39	TEFLON TUBE ASS. 4X2 L.200 7-7					
102	140321961	OR 2031 IN TERMOIL					
103	9079.A27	SAFETY VALVE ASS.FAST/LOCK UNIVERS					
104	12000140	ULKA PUMP EP5/S GW	230V-50HZ				
	12000131	ULKA PUMP EP5/S	120V-60HZ				
	12000130	ULKA PUMP EP5/S GW	100V-50/60HZ				
	12000182	ULKA PUMP EP5/S GW	220V-60HZ				
105	1509.001	TURBINE BRACKET WATER NETWORK					

PR SAECO ROYAL COFFEE BAR FWA
COD.0341-10000108-2641-2-3-4-5



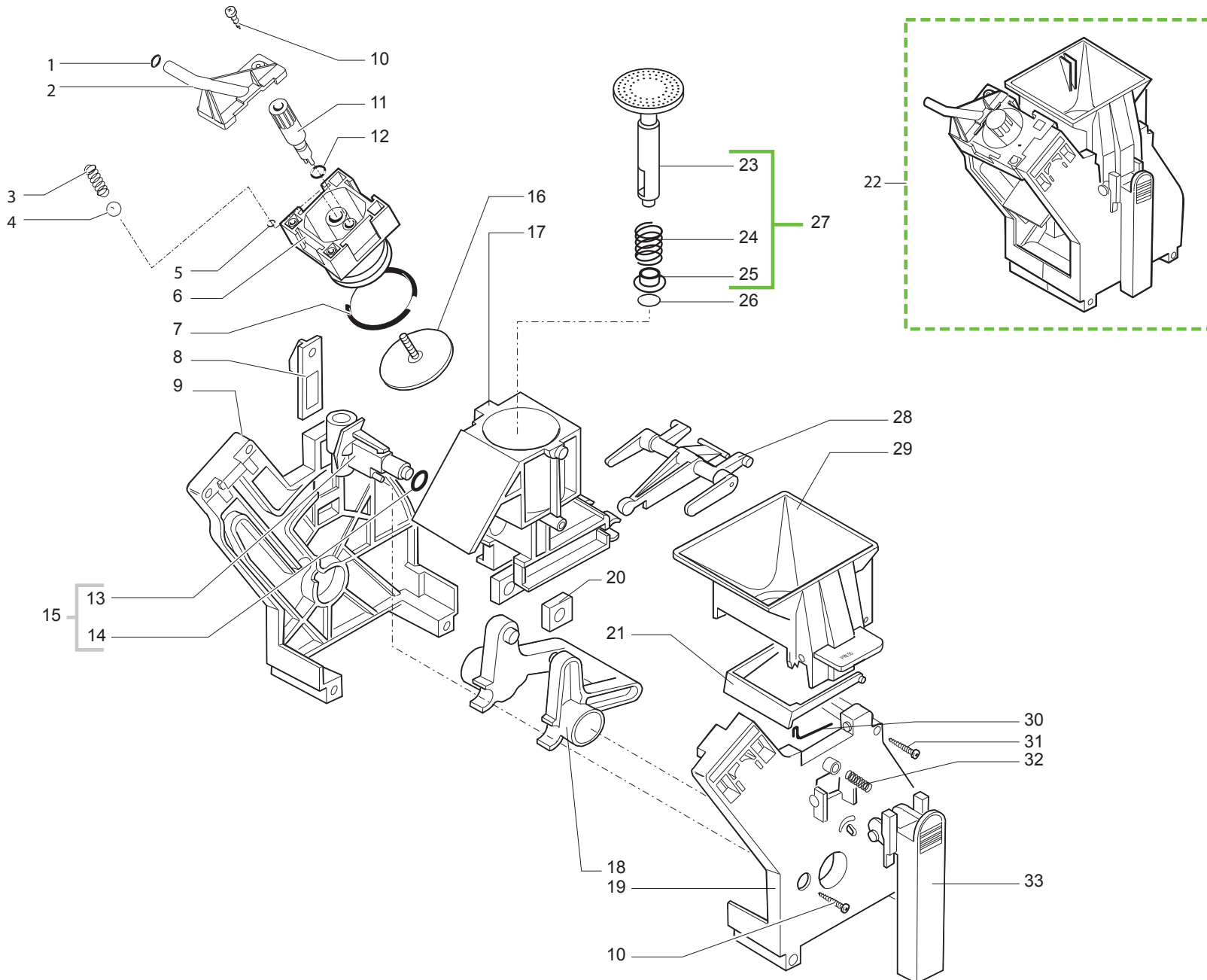
Ref.	Code	Description	Version	Ref.	Code	Description	Version
01	129913902	SCREW TCB TORX 10 3X12 PLAST.ZN-B		31	1505.014	COFFEEGRINDER SEAL	
02	9161.048	SCRAPER ROD		32	9161.097.150	LEVER FIXING PLATE GREY	
03	9161.076.150	DOSER DOOR PIN GREY		33	0313.003.150	ADJUSTMENT LEVER GREY RAL 7016	
04	9161.074.150	DOSER DOOR GREY		34	0301.866	CONNECTOR ASS. 2 POLE DOSER COIL	
05	126764818	SPRING ELECTROM.BEAN DOSER MAGIC		35	U201.001	PLAIN WASHER 3,2X9 DIN 7349 GAL	
06	U701.003	SNAP RING 7 UNI 7434		36	9161.403.150	DOSE ADJUST. SCALE GREY RAL 7016	
07	9161.041	DOSER ELECTROMAGNET CORE		37	149186150	BLACK UPPER GRINDER SUPPORT MAGIC	
08	0301.R30.00A	SPARE COIL X SUPERAUT.230V		38	9141.039	UPPER GRINDER	
	9129.A21.00A	WHOLE COIL X SUPERAUT.		39	142844550	UPPER GRINDER COVER COFFEE GRIND. MAGIC	
	9129.A07.00F	COFFEE DOSER COIL ASS.120V		40	129931002	TORX SCREW T10 TCB 3,5X40 SX ZNG	
	9129.A07.00H	COFFEE DOSER COIL ASS.240V		41	147470763	INCREASE SCREW/PIN COFFEE GRINDER MAGIC	
09	NE05.017	MICROSWITCH		42	U201.002	PLAIN WASHER 10X16X0,2DIN 988 GAL	
10	9161.072.150	MICRO SUPPORT CURSOR GREY		43	9141.040	CONICAL GRINDER	
11	9161.073.150	DOSE CONTROL COMPENSATOR GREY		44	149188750	CONICAL GRIND. SUPP. + RING MAGIC	
12	9161.223.150	COMPL.HOPP.FOR POWDER COFFEE GRE.		45	146570950	RING NUT FOR GRINDING ADJUSTMENT MAGIC	
13	9161.082	RUBBER COUPLER		46	128610421	STAIL.STELL AISI 304 SPHERE D=3,2MM	
14	0301.811	CONNECTOR 2 POLES LEVEL ASSY.		47	126770117	NEW SPRING SPHERE D=3,2 MOTOR MAGIC	
	0317.829	CONN. ASS. 2 POLE LEVEL UL		48	9141.016	MOTOR SUPPORT	
15	0301.804	CONNECTOR ASS. 2 POLE COFFEEGRINDE				UP TO S/N.341839	
	0301.869	CONNECTOR ASS. 2 POLE COFFEEGRINDE			9141.080	MOTOR SUPPORT	
	0317.818	CONN. ASS. 2 POLE COFFEEGRINDER UL				FROM S/N.341840	
	0301.868	CONNECTOR ASS. 2 POLE COFFEEGRINDE		49	140230400	SHOCK ABS. CONICAL GRINDER SUPP.MAGIC	
				50	128610521	STAIL.STELL AISI 304 SPHERE D=5,5MM	
16	144320200	SELF LOCK STRIP L=200MM		51	126765517	STEEL SPRING SPHERE D=5,5 MOTOR MAGIC	
17	NF11.034	CABLE HOLDER SUPPORT		52	140360200	FELT RING 40X34X5	
				53	0301.R10.00A	SPARE MOTOR UNIT MC 230V	
18	9991.103	ANTIVIBRATION FOR COFFEEGRINDER		54	9140.005.00A	STANDARD 230V COFFEE GRINDER	
						UP TO S/N.341839	
19	9161.296.150	COVER FOR DOSER HOLE			9140.036.00A	STANDARD 230V COFFEE GRINDER	
						FROM S/N.341840	
20	U043.004	SCREW TCBC M4,0X16 UNI 7687 GALV.			9140.005.00F	STANDARD 120V COFFEE GRINDER	
21	9991.005	RUBBER FOR COFFEE GRINDER				UP TO S/N.341839	
22	9141.003	SPACER FOR RUBBER			9140.032.00F	STANDARD 120V COFFEE GRINDER	
23	U324.006	NUT M4 FLANGED INDENTED BASE				FROM S/N.341840	
24	NE05.037	MICROSWITCH			9140.008.00A	COFFEE GRINDER ITA 230V ASSY.	
25	9161.080.760	GRINDING ADJUSTM.LEVER PAINT.BLUE				UP TO S/N.341839	
	9161.080.710	GREY LEVER GRINDING SETTING			9140.035.00A	COFFEE GRINDER ITA 230V ASSY.	
26	9161.365.150	GREY PLATE FOR COFFEE GRINDER				FROM S/N.341840	
				55	9161.382	INSULATOR FOR COFFEE GRINDER	
						FROM S/N.341840	
27	9161.053.150	COFFEEGRINDER PROTECTION GREY		56	9161.366.150	GREY/7016 SUPPORT FOR INSULATOR	
	9161.335.150	COFFEEGRINDER PROTECTION GREY UL				FROM S/N.341840	
28	U110.003	SCREW AUT.TCB 3,5X9,5 DIN 7981 F					
29	9161.029.150	PLATE FOR COFFEEGRINDER GREY					
30	1505.020	GASKET COFFEE GRINDER UL					

PR SAECO ROYAL COFFEE BAR FWA
COD.0341-10000108-2641-2-3-4-5



Ref.	Code	Description	Version	Ref.	Code	Description	Version
01	9120.018.150	RATIOMOTOR ASS.WITH TUBE GREY					
	9120.029.150	RATIOMOTOR ASS.+TUBE GREY UL					
02	0301.812	CONNECTOR ASS. 4 POLE CUPWARMER					
	0341.809	CONNECTOR 4 POLES CUPWARMER ULASSY.					
03	129670202	TCB PANELVIT SCREW 3,5X16 TESTAD=8 ZNP					
04	17000719	GREY RATIOMOTOR LID RYL					
		FROM S/N TV901202001268					
05	9121.069.150	GEAR Z=108 FOR MOUNTING PLATE M4000					
06	9161.368	MYLAR WASHER FOR RATIOMOTOR					
07	NE05.038	MICROSWITCH					
08	0314.829.00A	POWER CARD ROYAL PROFESSIONAL	230V				
	0314.829.00F	POWER CARD ROYAL PROFESSIONAL	120V				
09	11027899	GREY RATIOMOTOR CASING W/DUCT V2 ASSY.					
		FROM S/N TV901202001268					
10	148380200	WASHER BAKELIZZATE D=5,5					
11	9121.046	SINTERED BUSH FOR MOTOR					
12	11005214	MOTOR FOR RATIOMOTOR P124 ASSY.					
13	9121.044	ANTIVIBRATION FOR MOTOR					
14	9121.042	GEAR Z.12/90					
15	U140.004	PANELVIT TCB 3,0X12 DIN 7505 B GAL					
16	0334.807	MICRO ROYAL PROF.N.S.V3.68/FB3A ST					
17	184950300	FUSE T32 M.AMP.5X20 DELAYED					
18	NE17.002	ADH.CABLE RETAI.ROUND CABLE D=10MM					
19	0341.R02.77A	SPARE WHOLE ELECTRONICS					
	0341.R01.77A	SPARE WHOLE ELECTRONICS					
	0341.R03.77F	SPARE WHOLE ELECTRONICS					
20	20000490	KIT PROGRAMMER SERKIT					
21	U117.001	SCREW AUT.PT TCB 2.5X006 WN 1442					
22	0314.012.760	TOUCH PANEL FOR PROFESSIONAL BLUE					
22	0314.012.710	TOUCH PANEL FOR PROFESS. GREY					
23	NL04.005	RICHCO SPACER MSPM05-01 BD					
24	NL04.004	RICHCO SPACER MSPM07-01 BK					
25	NL04.006	RICHCO SPACER MSPM06-01					
26	0347.816	DISPLAY FOR ROYAL REDESIGN					
27	11006544	SILVER ELECTRONIC SUPPORT PROF.+ LENS					
	11009991	SILVER ELECTRONIC SUPPORT PROF.UL + LENS					
	0341.A10.77F	ELECT.ASS.COFFE BAR UL STD64 SILVER	120V				
28	0341.804	CPU CARD PROFESSIONAL N.S.STD 61					
	0341.805	CPU CARD PROFESSIONAL N.S.ITA 65					
29	NL04.003	RICHCO SPACER MSP09-01					
30	0314.A07	CARD ASS. PROFESSIONAL TOUCH PANEL					
31	20007052	SPARES KIT GEARS FOR RATIOMOTOR RYL					
		UP TO S/N TV901202001267					

PR SAECO ROYAL COFFEE BAR FWA
COD.0341-10000108-2641-2-3-4-5



Ref.	Code	Description	Version	Ref.	Code	Description	Version
01	NM02.017	OR ORM 0055-15 TERMOIL					
02	9161.034.150	GREY COFFEE OUTLET SLEEVE					
03	9161.222	CONICAL SPRING					
04	9991.168	GLASS SPHERE D.5MM					
05	NM02.013	OR ORM 0080-15 TERMOIL					
06	9161.193.150	GREY COUNTERPISTON FOR COFFEE UNIT					
07	NM01.044	OR ORM 0320-40 SILICONE PTFE/FDA					
08	9161.067.150	GREY PLATE FOR UNIT COUPLING					
09	9161.070.150	GREY REAR PLATE FOR UNIT					
10	U140.019	PANELVIT TCB 3,0X16 DIN 7505 B SS					
11	227470150	PIN BLACK ASS.FOR PERCOLATOR					
	227470159	PIN GREY ASS.FOR PERCOLATOR					
12	NM02.006	OR R5 TERMOIL					
13	9161.064.150	GREY WATER INLET SLEEVE BREW UNIT					
14	NM02.007	OR 2025 TERMOIL					
15	0301.R04.150	SPARE SLEEVE UNIT GREY					
16	223740300	PERCOLATOR DE=35,8 ASSY.					
	9160.075	PERCOLATOR DE=35,8 ELFO ASSY.					
17	11005779	GREY COFFEE CONTAINER FOR UNIT ASSY.					
18	9161.066.150	ELBOW SHAFT FOR UNIT GREY					
19	9161.071.150	GREY FRONT PLATE FOR UNIT					
20	9161.094.050	BLACK DRILLED BLOCK BREW UNIT					
21	9161.060.150	GREY SCRAPER FOR COFFEE UNIT					
22	11004180	BLACK BREW UNIT NEW MAGIC-ROYAL (SEE COD. EXP. E90049) NOTE:FOR SINGLE PARTS OF OLD GRAY BREW UNIT: SEE THIS TABLE					
23	9161.306.150	GREY INTEGRAL PISTON ASSY.					
24	9161.198	PISTON SPRING BREW UNIT M5000					
25	9161.191	NEUTRAL PISTON BUSH BREW UNIT M5000					
26	NM02.018	OR ORM 0090-25 TERMOIL					
27	9161.343.150	INTERGRAL PISTON ASS.					
28	9161.065.150	CONNECTING ROD FOR UNIT GREY					
29	9161.123.150	GREY HOPPER FOR UNIT W/SILK SCREEN PRESS					
30	9161.046	SPRING FOR UNIT SCRAPER					
31	U109.026	SS.SCREW AUT.TCB 3,5X19 DIN 7981 C					
32	9161.045	SPRING FOR UNIT HANDGRIP					
33	9161.069.150	GREY HANDGRIP FOR COFFEE UNIT					